

FTG12-155Ah

Valve-regulated lead-acid battery



FRONT TERMINAL SERIES

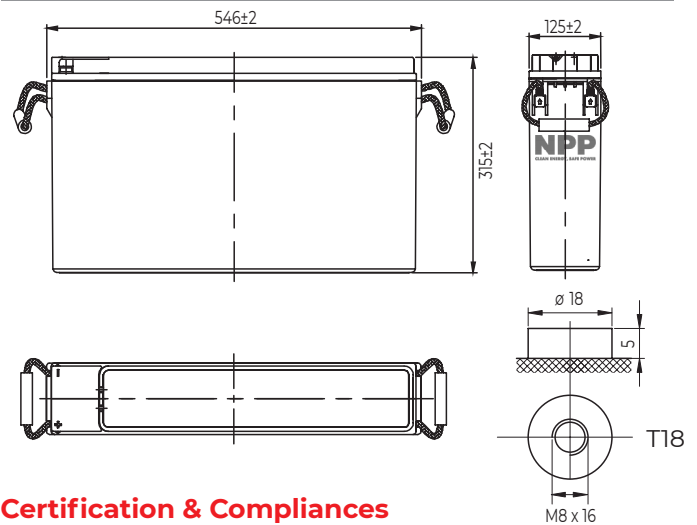
Characteristics

Nominal voltage	12V (6 cells per unit)	
Nominal capacity at 10 hours rate/10.8V (25°C)	155Ah	
Capacity (25°C)	20 Hours rate/10.8V	164.4Ah
	5 Hours rate/10.8V	128Ah
Terminal type	T18	
Torque	12.3±2.5N.m	
Approx. internal resistance (25°C)	4.5 mΩ	
Dimensions	Length	546±2mm (21.50inch)
	Width	125±2mm (4.92inch)
	Height	315±2mm (12.40inch)
	Total height	315±2mm (12.40inch)
Design Life (stand-by)	JIS at 25°C	12 years
	Eurobat at 20°C	10/12 years
Weight	49.50kg (109.13lbs)±3%	
Nominal operating temperature	25°C±3 (77±5°F)	
Operating temperature range	Discharge	-15°C~50°C (5°F~122°F)
	Charge	-10°C~50°C (14°F~122°F)
	Storage	-20°C~50°C (-4°F~122°F)
Float charging voltage at 25°C	13.5V~13.8V	
Cyclic charging voltage at 25°C	14.4V~14.7V	
Temperature compensation	Float charge	-18mV/°C/Block
	Cycle charge	-30mV/°C/Block
Max. charging current (A)	31A	
Max. discharge current for 5 seconds	1100A	
Self discharge rate (25°C)	≤3%/month	
Battery container ABS UL94-HB	V-0 optional	

Overview

NPP Power Front Terminal Series batteries are mainly used in the area of communication. By adopting a new AGM separator and centralized venting system, the battery can be installed in different positions while maintaining high reliability. Available in gel technology also.

Dimensions & Terminal Type (mm)



Certification & Compliances



Compliant to: EUROBAT, RoHS, WEEE's and Reach.
Manufactured according to IEC 60896-21 / 22

Construction

Component	Positive Plate	Negative plate	Container	Separator	Electrolyte	Safety valve	Terminal
Raw material	Lead dioxide	Lead	ABS (V-0 opt.)	AGM	Sulfuric Acid Gel	Rubber	Copper

Constant current discharge characteristics at 25°C

(Ampere/battery)

F.V/Time	15min	30min	60min	2h	3h	4h	5h	6h	8h	10h	20h
9.60V	243	147	91.1	56.6	40.3	31.6	26.9	23.7	19	15.8	8.36
9.90V	237	144	89.8	56.3	40.1	31.4	26.7	23.6	18.9	15.7	8.35
10.2V	228	140	87.5	55.8	39.8	31.2	26.5	23.4	18.7	15.7	8.32
10.5V	221	137	84.8	55	39.5	31	26.4	23.3	18.6	15.6	8.27
10.8V	209	132	82	53.6	38.7	30.1	25.6	22.6	18	15.5	8.22

Constant power discharge characteristics at 25°C

(Watts/battery)

F.V/Time	15min	30min	60min	2h	3h	4h	5h	6h	8h	10h	20h
9.60V	2669	1653	1039	656	474	372	318	280	225	188	100
9.90V	2605	1620	1023	652	471	370	316	279	224	188	100
10.2V	2508	1571	997	646	468	367	314	277	223	187	99.9
10.5V	2423	1533	966	636	465	365	311	275	221	186	99.3
10.8V	2295	1476	935	620	456	354	302	267	214	185	98.6

The above characteristics represent average values and can be obtained within three charge and discharge cycles. The batteries must be fully charged before testing. The data in this document is subject to change without notice and become contractual only after written confirmation. Please contact NPP Power for the latest available version.

NPP Power (Vietnam) Co.,Ltd

Lot A22.3, Road C4, Thanh Thanh Cong Industrial Zone,
An Hoa Village, Trang Bang District, Tay Ninh Province,
Vietnam

Guangzhou NPP Power Co, Ltd.

No.67 Lianglong Road, Huashan Town, Huadu District,
Guangzhou, China
Email: info@nppower.com.cn Tel. +86 20 37887 390