

## FT12-75Ah

Valve-regulated lead-acid battery



# FRONT TERMINAL SERIES

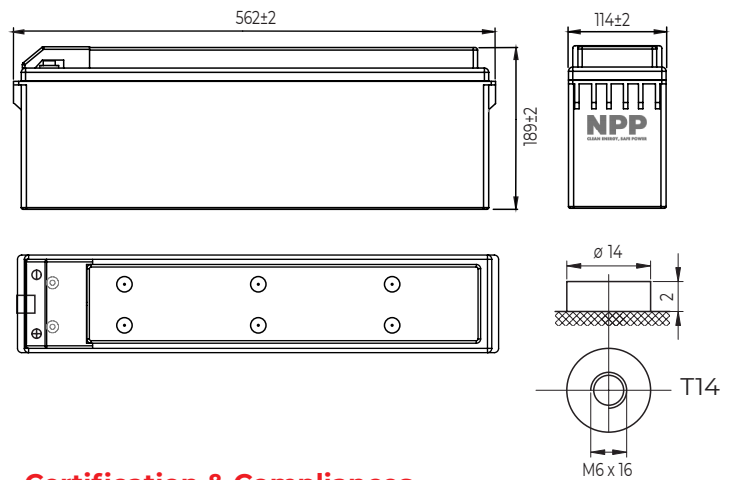
### Characteristics

Nominal voltage	12V (6 cells per unit)	
Nominal capacity at 10 hours rate/10.8V (25°C)	75Ah	
Capacity (25°C)	20 Hours rate/10.8V	79.6 Ah
	5 Hours rate/10.8V	64 Ah
Terminal type	T14	
Torque	5.1±0.6N.m	
Approx. internal resistance (25°C)	6 mΩ	
Dimensions	Length	562±2mm (22.12inch)
	Width	114±2mm (4.49inch)
	Height	189±2mm (7.44inch)
	Total height	189±2mm (7.44inch)
Design Life (stand-by)	JIS at 25°C	12 years
	Eurobat at 20°C	10/12 years
Weight	24.50kg (54.0lbs)±3%	
Nominal operating temperature	25°C±3 (77±5°F)	
Operating temperature range	Discharge	-15°C~50°C (5°F~122°F)
	Charge	-10°C~50°C (14°F~122°F)
	Storage	-20°C~50°C (-4°F~122°F)
Float charging voltage at 25°C	13.5V~13.8V	
Cyclic charging voltage at 25°C	14.5V~15.0V	
Temperature compensation	Float charge	-18mV/°C/Block
	Cycle charge	-30mV/°C/Block
Max. charging current (A)	22.5A	
Max. discharge current for 5 seconds	600A	
Self discharge rate (25°C)	≤3%/month	
Battery container ABS UL94-HB	V-0 optional	

### Overview

NPP Power Front Terminal Series batteries are mainly used in the area of communication. By adopting a new AGM separator and centralized venting system, the battery can be installed in different positions while maintaining high reliability. Available in gel technology also.

### Dimensions & Terminal Type (mm)



### Certification & Compliances



Compliant to: EUROBAT, RoHS, WEEE's and Reach.  
Manufactured according to IEC 60896-21 / 22

### Construction

Component	Positive Plate	Negative plate	Container	Separator	Electrolyte	Safety valve	Terminal
Raw material	Lead dioxide	Lead	ABS (V-0 opt.)	AGM	Sulfuric Acid	Rubber	Copper

### Constant current discharge characteristics at 25°C

(Ampere/battery)

F.V/Time	10min	15min	30min	60min	2h	3h	4h	5h	8h	10h	20h
9.60V	160	123	73.9	45.4	27.4	19.7	15.8	13.5	9.26	7.64	4.05
9.90V	155	121	72.4	44.7	27.2	19.6	15.7	13.4	9.20	7.62	4.04
10.2V	149	116	70.2	43.6	27.0	19.5	15.6	13.3	9.14	7.60	4.03
10.5V	143	112	68.5	42.2	26.6	19.5	15.5	13.2	9.08	7.55	4.00
10.8V	135	106	66.0	40.9	25.9	18.8	15.0	12.8	8.80	7.50	3.98

### Constant power discharge characteristics at 25°C

(Watts/battery)

F.V/Time	10min	15min	30min	60min	2h	3h	4h	5h	8h	10h	20h
9.60V	1730	1356	829	518	317	232	185	159	110	91.2	48.6
9.90V	1679	1323	812	510	315	231	184	158	109	91.0	48.5
10.2V	1609	1274	787	497	313	229	183	157	109	90.7	47.3
10.5V	1540	1231	768	482	308	228	182	156	108	90.2	48.0
10.8V	1454	1166	740	466	300	221	176	151	105	89.6	47.7

The above characteristics represent average values and can be obtained within three charge and discharge cycles. The batteries must be fully charged before testing. The data in this document is subject to change without notice and become contractual only after written confirmation. Please contact NPP Power for the latest available version.

#### NPP Power (Vietnam) Co., Ltd.

Lot A22.3, Road C4, Thanh Thanh Cong Industrial Zone,  
An Hoa Ward, Trang Bang Town, Tay Ninh Province,  
Vietnam

#### Guangzhou NPP Power Co., Ltd.

No.67 Lianglong Road, Huashan Town, Huadu District,  
Guangzhou, China  
Email: info@nppower.com.cn Tel. +86 20 37887 390