

FTG12-75Ah

Valve-regulated lead-acid battery



FRONT TERMINAL SERIES

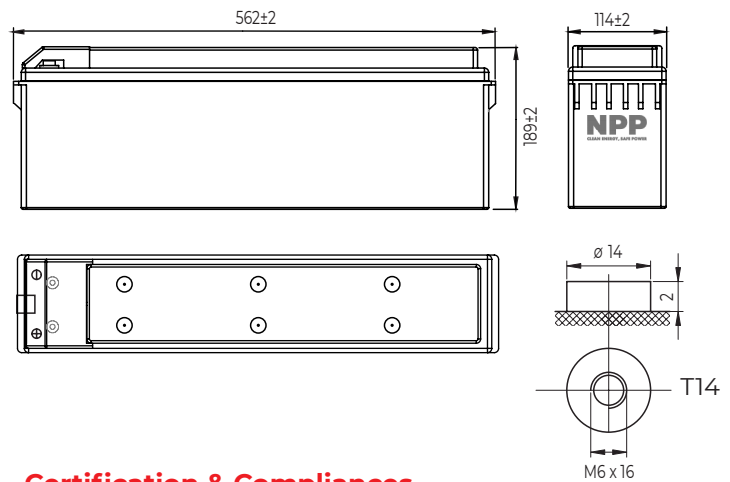
Characteristics

Nominal voltage	12V (6 cells per unit)	
Nominal capacity at 10 hours rate/10.8V (25°C)	75Ah	
Capacity (25°C)	20 Hours rate/10.8V	79.6 Ah
	5 Hours rate/10.8V	62 Ah
Terminal type	T14	
Torque	5.1±0.6N.m	
Approx. internal resistance (25°C)	6.5 mΩ	
Dimensions	Length	562±2mm (22.12inch)
	Width	114±2mm (4.49inch)
	Height	189±2mm (7.44inch)
	Total height	189±2mm (7.44inch)
Design Life (stand-by)	JIS at 25°C	12 years
	Eurobat at 20°C	10/12 years
Weight	25.00kg (54.01lbs)±3%	
Nominal operating temperature	25°C±3 (77±5°F)	
Operating temperature range	Discharge	-15°C~50°C (5°F~122°F)
	Charge	-10°C~50°C (14°F~122°F)
	Storage	-20°C~50°C (-4°F~122°F)
Float charging voltage at 25°C	13.5V~13.8V	
Cyclic charging voltage at 25°C	14.4V~14.7V	
Temperature compensation	Float charge	-18mV/°C/Block
	Cycle charge	-30mV/°C/Block
Max. charging current (A)	15A	
Max. discharge current for 5 seconds	600A	
Self discharge rate (25°C)	≤3%/month	
Battery container ABS UL94-HB	V-0 optional	

Overview

NPP Power Front Terminal Series batteries are mainly used in the area of communication. By adopting a new AGM separator and centralized venting system, the battery can be installed in different positions while maintaining high reliability.

Dimensions & Terminal Type (mm)



Certification & Compliances



Compliant to: EUROBAT, RoHS, WEEE's and Reach.
Manufactured according to IEC 60896-21 / 22

Construction

Component	Positive Plate	Negative plate	Container	Separator	Electrolyte	Safety valve	Terminal
Raw material	Lead dioxide	Lead	ABS (V-0 opt.)	AGM	Sulfuric Acid Gel	Rubber	Copper

Constant current discharge characteristics at 25°C

(Ampere/battery)

F.V/Time	10min	15min	30min	60min	2h	3h	4h	5h	8h	10h	20h
9.60V	143	118	71.3	44.1	27.4	19.5	15.3	13.0	9.18	7.64	4.05
9.90V	139	115	69.9	43.4	27.2	19.4	15.2	12.9	9.13	7.62	4.04
10.2V	133	111	67.7	42.3	27.0	19.3	15.1	12.8	9.06	7.60	4.03
10.5V	128	107	66.1	41.0	26.6	19.1	15.0	12.8	9.00	7.55	4.00
10.8V	120	101	63.7	39.7	25.9	18.7	14.6	12.4	8.73	7.50	3.98

Constant power discharge characteristics at 25°C

(Watts/battery)

F.V/Time	10min	15min	30min	60min	2h	3h	4h	5h	8h	10h	20h
9.60V	1548	1291	800	503	317	229	180	154	109	91.2	48.6
9.90V	1501	1260	784	495	315	228	179	153	108	91.0	48.5
10.2V	1440	1214	760	483	313	226	178	152	108	90.7	48.3
10.5V	1378	1172	742	468	308	225	176	151	107	90.2	48.0
10.8V	1300	1110	714	452	300	220	171	146	104	89.6	47.7

The above characteristics represent average values and can be obtained within three charge and discharge cycles. The batteries must be fully charged before testing. The data in this document is subject to change without notice and become contractual only after written confirmation. Please contact NPP Power for the latest available version.

NPP Power (Vietnam) Co., Ltd.

Lot A22.3, Road C4, Thanh Thanh Cong Industrial Zone,
An Hoa Ward, Trang Bang Town, Tay Ninh Province,
Vietnam

Guangzhou NPP Power Co., Ltd.

No.67 Lianglong Road, Huashan Town, Huadu District,
Guangzhou, China
Email: info@nppower.com.cn Tel. +86 20 37887 390