

NP2-100Ah

Valve-regulated lead-acid battery



GENERAL PURPOSE SERIES

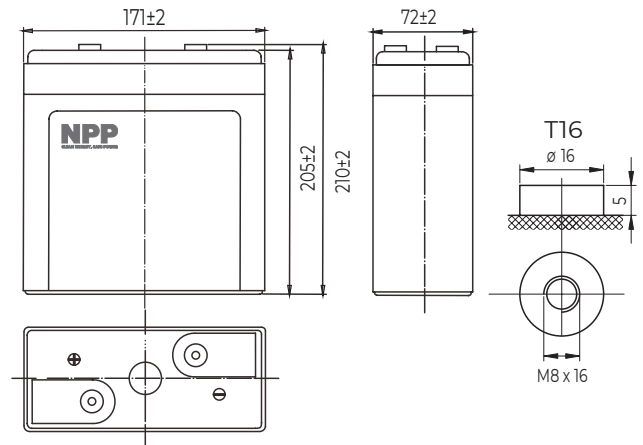
Characteristics

Nominal voltage	2V (1 cell per unit)	
Nominal capacity at 10 hours rate/1.8V (25°C)	100Ah	
Capacity (25°C)	20 Hours rate/1.8V	106Ah
	5 Hours rate/1.8V	85.5Ah
Terminal type	T16	
Torque	12.3±2.5N.m	
Approx. internal resistance (25°C)	0.8mΩ	
Dimensions	Length	171±2mm (6.73inch)
	Width	72±2mm (2.83inch)
	Height	205±2mm (8.07inch)
	Total height	210±2mm (8.27inch)
Design Life (stand-by)	JIS at 25°C	10 years
	Eurobat at 20°C	10/12 years
Weight	5.30kg (11.70lbs)±4%	
Nominal operating temperature	25°C±3 (77±5°F)	
Operating temperature range	Discharge	-15°C~50°C (5°F~122°F)
	Charge	-10°C~50°C (14°F~122°F)
	Storage	-20°C~50°C (-4°F~122°F)
Float charging voltage at 25°C	2.25V~2.30V	
Cyclic charging voltage at 25°C	2.40V~2.50V	
Temperature compensation	Float charge	-3 mV/°C/Cell
	Cycle charge	-5 mV/°C/Cell
Max. charging current (A)	30A	
Max. discharge current for 5 seconds	800A	
Self discharge rate (25°C)	≤3%/month	
Battery container ABS UL94-HB	V-0 optional	

Overview

NPP Power General Purpose series batteries are designed with state-of-the-art AGM (absorbent glass mat) technology, high-performance plates and electrolyte. With excellent value and characteristics, this range is suitable for all general purpose applications.

Dimensions & Terminal Type (mm)



Certification & Compliances



Compliant to: EUROBAT, RoHS, WEEE's and Reach.
Manufactured according to IEC 60896-21 / 22

Construction

Component	Positive Plate	Negative plate	Container	Separator	Electrolyte	Safety valve	Terminal
Raw material	Lead dioxide	Lead	ABS (V-0 opt.)	AGM	Sulfuric Acid	Rubber	Copper

Constant current discharge characteristics at 25°C

(Ampere/battery)

F.V/Time	10min	15min	30min	60min	2h	3h	4h	5h	8h	10h	20h
1.60V/cell	218	168	101	61.8	36.5	26.3	21.0	18.0	12.3	10.2	5.40
1.65V/cell	211	164	98.5	60.9	36.3	26.2	20.9	17.8	12.3	10.2	5.38
1.70V/cell	203	158	95.5	59.3	36.0	26.0	20.7	17.7	12.2	10.1	5.37
1.75V/cell	194	153	93.2	57.5	35.5	25.8	20.6	17.6	12.1	10.1	5.34
1.80V/cell	183	144	89.7	55.6	34.6	25.0	20.0	17.1	11.7	10.0	5.30

Constant power discharge characteristics at 25°C

(Watts/battery)

F.V/Time	10min	15min	30min	60min	2h	3h	4h	5h	8h	10h	20h
1.60V/cell	392	307	188	117	70.5	51.6	41.2	35.4	24.4	20.3	10.8
1.65V/cell	381	300	184	116	70.1	51.3	40.9	35.2	24.3	20.2	10.8
1.70V/cell	365	289	179	113	69.5	50.9	40.7	34.9	24.1	20.2	10.7
1.75V/cell	349	279	174	109	68.4	50.6	40.4	34.7	24.0	20.0	10.7
1.80V/cell	330	264	168	106	66.7	49.1	39.2	33.6	23.2	19.9	10.6

The above characteristics represent average values and can be obtained within three charge and discharge cycles. The batteries must be fully charged before testing. The data in this document is subject to change without notice and become contractual only after written confirmation. Please contact NPP Power for the latest available version.

NPP Power (Vietnam) Co.,Ltd

Lot A22.3, Road C4, Thanh Thanh Cong Industrial Zone,
An Hoa Village, Trang Bang District, Tay Ninh Province,
Vietnam

Guangzhou NPP Power Co, Ltd.

No.67 Lianglong Road, Huashan Town, Huadu District,
Guangzhou, China
Email: info@nppower.com.cn Tel. +86 20 37887 390