

## NP2-150Ah

Valve-regulated lead-acid battery



# GENERAL PURPOSE SERIES

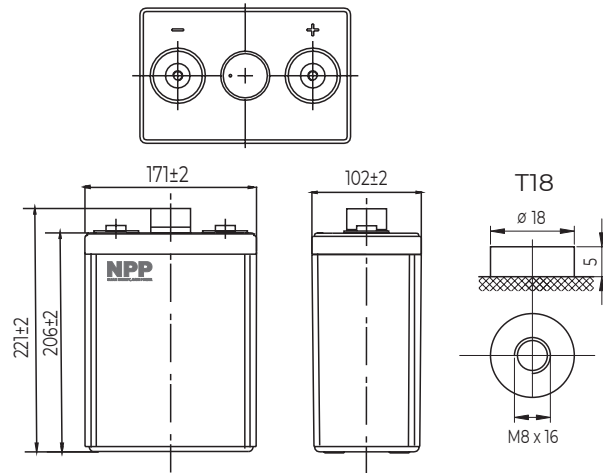
### Characteristics

Nominal voltage	2V (1 cell per unit)	
Nominal capacity at 10 hours rate/1.80V (25°C)	150Ah	
Capacity (25°C)	20 Hours rate/1.80V	159Ah
	5 Hours rate/1.80V	128Ah
Terminal type	T18	
Torque	12.3±2.5N.m	
Approx. internal resistance (25°C)	0.6mΩ	
Dimensions	Length	171±2mm (6.73inch)
	Width	102±2mm (4.02inch)
	Height	206±2mm (8.11inch)
	Total height	221±2mm (8.70inch)
Design Life (stand-by)	JIS at 25°C	10 years
	Eurobat at 20°C	10/12 years
Weight	8.00kg (17.60lbs)±4%	
Nominal operating temperature	25±3°C (77°F±5)	
Operating temperature range	Discharge	-15°C~50°C (5°F~122°F)
	Charge	-10°C~50°C (14°F~122°F)
	Storage	-20°C~50°C (-4°F~122°F)
Float charging voltage at 25°C	2.25V~2.30V	
Cyclic charging voltage at 25°C	2.40V~2.50V	
Temperature compensation	Float charge	-3 mV/°C/Cell
	Cycle charge	-5 mV/°C/Cell
Max. charging current (A)	45A	
Max. discharge current for 5 seconds	1200A	
Self discharge rate (25°C)	≤3%/month	
Battery container ABS UL94-HB	V-0 optional	

### Overview

NPP Power General Purpose series batteries are designed with state-of-the-art AGM (absorbent glass mat) technology, high-performance plates and electrolyte. With excellent value and characteristics, this range is suitable for all general purpose applications.

### Dimensions & Terminal Type (mm)



### Certification & Compliances



Compliant to: EUROBAT, RoHS, WEEE's and Reach.  
Manufactured according to IEC 60896-21 / 22

### Construction

Component	Positive Plate	Negative plate	Container	Separator	Electrolyte	Safety valve	Terminal
Raw material	Lead dioxide	Lead	ABS (V-0 opt.)	AGM	Sulfuric Acid	Rubber	Copper

### Constant current discharge characteristics at 25°C

(Ampere/battery)

F.V/Time	10min	15min	30min	60min	2h	3h	4h	5h	8h	10h	20h
1.60V/cell	327	252	151	92.7	54.8	39.5	31.5	26.9	18.5	15.3	8.09
1.65V/cell	317	246	148	91.3	54.5	39.2	31.3	26.8	18.4	15.2	8.08
1.70V/cell	304	237	143	89.0	54.0	39.0	31.1	26.6	18.3	15.2	8.05
1.75V/cell	291	229	140	86.2	53.2	38.7	30.9	26.4	18.2	15.1	8.01
1.80V/cell	275	217	135	83.4	51.8	37.5	30.0	25.6	17.6	15.0	7.95

### Constant power discharge characteristics at 25°C

(Watts/battery)

F.V/Time	10min	15min	30min	60min	2h	3h	4h	5h	8h	10h	20h
1.60V/cell	589	461	282	176	106	77.4	61.8	53.0	36.7	30.4	16.2
1.65V/cell	571	450	276	173	105	76.9	61.4	52.7	36.4	30.3	16.2
1.70V/cell	547	433	268	169	104	76.4	61.0	52.4	36.2	30.2	16.1
1.75V/cell	524	419	261	164	103	75.9	60.6	52.0	35.9	30.1	16.0
1.80V/cell	494	397	252	159	100	73.6	58.7	50.4	34.9	29.9	15.9

The above characteristics represent average values and can be obtained within three charge and discharge cycles. The batteries must be fully charged before testing. The data in this document is subject to change without notice and become contractual only after written confirmation. Please contact NPP Power for the latest available version.

#### NPP Power (Vietnam) Co.,Ltd

Lot A22.3, Road C4, Thanh Thanh Cong Industrial Zone,  
An Hoa Village, Trang Bang District, Tay Ninh Province,  
Vietnam

#### Guangzhou NPP Power Co, Ltd.

No.67 Lianglong Road, Huashan Town, Huadu District,  
Guangzhou, China  
Email: info@nppower.com.cn Tel. +86 20 37887 390