



# NP2-2000Ah

Valve-regulated lead-acid battery

# GENERAL PURPOSE SERIES

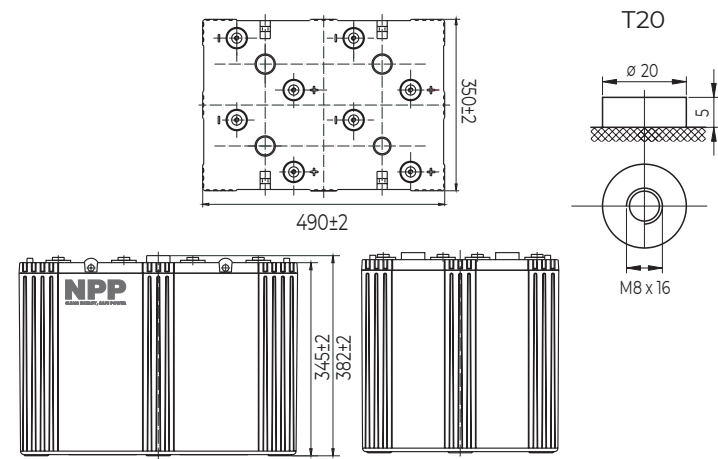
## Characteristics

Nominal voltage	2V (1 cell per unit)	
Nominal capacity at 10 hours rate/1.80V (25°C)	2000Ah	
Capacity (25°C)	20 Hours rate/1.80V	2120Ah
	5 Hours rate/1.80V	1735Ah
Terminal type	T20	
Torque	12.3±2.5N.m	
Approx. internal resistance (25°C)	0.18mΩ	
Dimensions	Length	490±2mm (19.29inch)
	Width	350±2mm (13.78inch)
	Height	345±2mm (13.58inch)
	Total height	382±2mm (15.04inch)
Design Life (stand-by)	JIS at 25°C	15 years
	Eurobat at 20°C	>12 years
Weight	124.00kg (273.37lbs)±3%	
Nominal operating temperature	25±3°C (77°F±5)	
Operating temperature range	Discharge	-15°C~50°C (5°F~122°F)
	Charge	-10°C~50°C (14°F~122°F)
	Storage	-20°C~50°C (-4°F~122°F)
Float charging voltage at 25°C	2.25V~2.30V	
Cyclic charging voltage at 25°C	2.40V~2.50V	
Temperature compensation	Float charge	-3 mV/°C/Cell
	Cycle charge	-5 mV/°C/Cell
Max. charging current (A)	400A	
Max. discharge current for 5 seconds	10000A	
Self discharge rate (25°C)	≤3%/month	
Battery container ABS UL94-HB	V-0 optional	

## Overview

NPP Power General Purpose series batteries are designed with state-of-the-art AGM (absorbent glass mat) technology, high-performance plates and electrolyte. With excellent value and characteristics, this range is suitable for all general purpose applications.

## Dimensions & Terminal Type (mm)



## Certification & Compliances



Compliant to: EUROBAT, RoHS, WEEE's and Reach.  
Manufactured according to IEC 60896-21 / 22

## Construction

Component	Positive Plate	Negative plate	Container	Separator	Electrolyte	Safety valve	Terminal
Raw material	Lead dioxide	Lead	ABS (V-0 opt.)	AGM	Sulfuric Acid	Rubber	Copper

## Constant current discharge characteristics at 25°C

(Ampere/battery)

F.V/Time	30min	60min	2h	3h	4h	5h	6h	8h	10h	20h	24h
1.60V/cell	1820	1260	737	530	424	365	314	248	205	108	92.4
1.65V/cell	1784	1222	733	527	422	363	312	246	204	108	92.3
1.70V/cell	1729	1184	726	524	419	361	310	245	204	107	92.0
1.75V/cell	1687	1147	715	520	416	358	308	243	202	107	91.4
1.80V/cell	1625	1109	697	504	404	347	299	236	201	106	90.8

## Constant power discharge characteristics at 25°C

(Watts/battery)

F.V/Time	30min	60min	2h	3h	4h	5h	6h	8h	10h	20h	24h
1.60V/cell	3403	2394	1422	1040	832	719	619	493	407	216	186
1.65V/cell	3335	2322	1414	1033	827	715	615	490	406	215	185
1.70V/cell	3233	2250	1401	1026	821	710	611	487	405	215	185
1.75V/cell	3155	2179	1380	1019	815	705	607	484	403	213	184
1.80V/cell	3039	2107	1345	989	791	684	589	469	400	212	183

The above characteristics represent average values and can be obtained within three charge and discharge cycles. The batteries must be fully charged before testing. The data in this document is subject to change without notice and become contractual only after written confirmation. Please contact NPP Power for the latest available version.

### NPP Power (Vietnam) Co.,Ltd

Lot A22.3, Road C4, Thanh Thanh Cong Industrial Zone,  
An Hoa Village, Trang Bang District, Tay Ninh Province,  
Vietnam

### Guangzhou NPP Power Co, Ltd.

No.67 Lianglong Road, Huashan Town, Huadu District,  
Guangzhou, China  
Email: info@nppower.com.cn Tel. +86 20 37887 390