

NP2-300Ah

Valve-regulated lead-acid battery



GENERAL PURPOSE SERIES

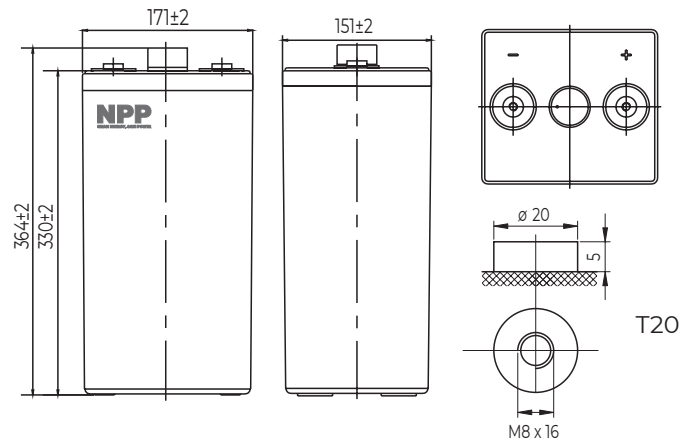
Characteristics

Nominal voltage	2V (1 cell per unit)	
Nominal capacity at 10 hours rate/1.80V (25°C)	300Ah	
Capacity (25°C)	20 Hours rate/1.80V	318Ah
	5 Hours rate/1.80V	260.5Ah
Terminal type	T20	
Torque	12.3±2.5N.m	
Approx. internal resistance (25°C)	0.7mΩ	
Dimensions	Length	171±2mm (6.73inch)
	Width	151±2mm (5.94inch)
	Height	330±2mm (12.99inch)
	Total height	364±2mm (14.33inch)
Design Life (stand-by)	JIS at 25°C	15 years
	Eurobat at 20°C	>12 years
Weight	18.00kg (39.70lbs)±3%	
Nominal operating temperature	25±3°C (77°F±5)	
Operating temperature range	Discharge	-15°C~50°C (5°F~122°F)
	Charge	-10°C~50°C (14°F~122°F)
	Storage	-20°C~50°C (-4°F~122°F)
Float charging voltage at 25°C	2.25V~2.30V	
Cyclic charging voltage at 25°C	2.40V~2.50V	
Temperature compensation	Float charge	-3 mV/°C/Cell
	Cycle charge	-5 mV/°C/Cell
Max. charging current (A)	60A	
Max. discharge current for 5 seconds	2100A	
Self discharge rate (25°C)	≤3%/month	
Battery container ABS UL94-HB	V-0 optional	

Overview

NPP Power General Purpose series batteries are designed with state-of-the-art AGM (absorbent glass mat) technology, high-performance plates and electrolyte. With excellent value and characteristics, this range is suitable for all general purpose applications.

Dimensions & Terminal Type (mm)



Certification & Compliances



Compliant to: EUROBAT, RoHS, WEEE's and Reach.
Manufactured according to IEC 60896-21 / 22

Construction

Component	Positive Plate	Negative plate	Container	Separator	Electrolyte	Safety valve	Terminal
Raw material	Lead dioxide	Lead	ABS (V-0 opt.)	AGM	Sulfuric Acid	Rubber	Copper

Constant current discharge characteristics at 25°C

(Ampere/battery)

F.V/Time	15min	30min	60min	2h	3h	4h	5h	6h	8h	10h	20h
1.60V/cell	417	273	189	111	79.6	63.6	54.8	47.1	37.2	30.7	16.2
1.65V/cell	407	268	183	110	79.1	63.3	54.5	46.8	37.0	30.6	16.2
1.70V/cell	392	259	178	109	78.5	62.8	54.1	46.5	36.7	30.5	16.1
1.75V/cell	379	253	172	107	78.0	62.4	53.7	46.2	36.5	30.4	16.0
1.80V/cell	359	244	166	105	75.7	60.5	52.1	44.8	35.4	30.2	15.9

Constant power discharge characteristics at 25°C

(Watts/battery)

F.V/Time	15min	30min	60min	2h	3h	4h	5h	6h	8h	10h	20h
1.60V/cell	763	511	359	213	156	125	108	92.8	74.0	61.1	32.4
1.65V/cell	745	500	348	212	155	124	107	92.3	73.6	61.0	32.3
1.70V/cell	717	485	338	210	154	123	107	91.7	73.0	60.8	32.2
1.75V/cell	693	473	327	207	153	122	106	91.0	72.5	60.4	32.0
1.80V/cell	656	456	316	202	148	119	103	88.3	70.4	60.0	31.8

The above characteristics represent average values and can be obtained within three charge and discharge cycles. The batteries must be fully charged before testing. The data in this document is subject to change without notice and become contractual only after written confirmation. Please contact NPP Power for the latest available version.

NPP Power (Vietnam) Co.,Ltd

Lot A22.3, Road C4, Thanh Thanh Cong Industrial Zone,
An Hoa Village, Trang Bang District, Tay Ninh Province,
Vietnam

Guangzhou NPP Power Co, Ltd.

No.67 Lianglong Road, Huashan Town, Huadu District,
Guangzhou, China
Email: info@nppower.com.cn Tel. +86 20 37887 390