

NP2-500Ah

Valve-regulated lead-acid battery



GENERAL PURPOSE SERIES

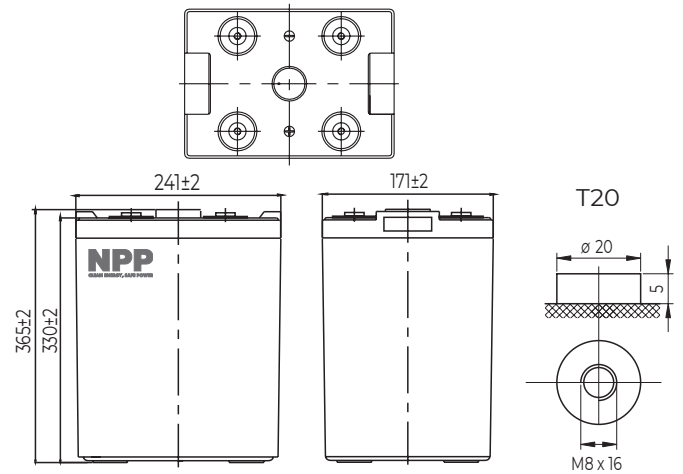
Characteristics

Nominal voltage	2V (1 cell per unit)	
Nominal capacity at 10 hours rate/1.80V (25°C)	500Ah	
Capacity (25°C)	20 Hours rate/1.80V	530Ah
	5 Hours rate/1.80V	434Ah
Terminal type	T20	
Torque	12.3±2.5N.m	
Approx. internal resistance (25°C)	0.5mΩ	
Dimensions	Length	241±2mm (9.49inch)
	Width	171±2mm (6.73inch)
	Height	330±2mm (12.99inch)
	Total height	365±2mm (14.37inch)
Design Life (stand-by)	JIS at 25°C	15 years
	Eurobat at 20°C	>12 years
Weight	30.00kg (66.14lbs)±3%	
Nominal operating temperature	25±3°C (77°F±5)	
Operating temperature range	Discharge	-15°C~50°C (5°F~122°F)
	Charge	-10°C~50°C (14°F~122°F)
	Storage	-20°C~50°C (-4°F~122°F)
Float charging voltage at 25°C	2.25V~2.30V	
Cyclic charging voltage at 25°C	2.40V~2.50V	
Temperature compensation	Float charge	-3 mV/°C/Cell
	Cycle charge	-5 mV/°C/Cell
Max. charging current (A)	100A	
Max. discharge current for 5 seconds	3000A	
Self discharge rate (25°C)	≤3%/month	
Battery container ABS UL94-HB	V-0 optional	

Overview

NPP Power General Purpose series batteries are designed with state-of-the-art AGM (absorbent glass mat) technology, high-performance plates and electrolyte. With excellent value and characteristics, this range is suitable for all general purpose applications.

Dimensions & Terminal Type (mm)



Certification & Compliances



Compliant to: EUROBAT, RoHS, WEEE's and Reach.
Manufactured according to IEC 60896-21 / 22

Construction

Component	Positive Plate	Negative plate	Container	Separator	Electrolyte	Safety valve	Terminal
Raw material	Lead dioxide	Lead	ABS (V-0 opt.)	AGM	Sulfuric Acid	Rubber	Copper

Constant current discharge characteristics at 25°C

(Ampere/battery)

F.V/Time	15min	30min	60min	2h	3h	4h	5h	6h	8h	10h	20h
1.60V/cell	695	455	315	184	133	106	91.3	78.5	62.0	51.2	27.0
1.65V/cell	678	446	306	183	132	105	90.8	78.1	61.6	51.1	26.9
1.70V/cell	653	432	296	182	131	105	90.1	77.5	61.2	50.9	26.8
1.75V/cell	631	422	287	179	130	104	89.5	77.0	60.8	50.6	26.7
1.80V/cell	598	406	277	174	126	101	86.8	74.7	58.9	50.3	26.5

Constant power discharge characteristics at 25°C

(Watts/battery)

F.V/Time	15min	30min	60min	2h	3h	4h	5h	6h	8h	10h	20h
1.60V/cell	1272	851	599	356	260	208	180	155	123	102	54.0
1.65V/cell	1241	834	581	353	258	207	179	154	123	102	53.8
1.70V/cell	1196	808	563	350	257	205	178	153	122	101	53.7
1.75V/cell	1155	789	545	345	255	204	176	152	121	101	53.4
1.80V/cell	1094	760	527	336	247	198	171	147	117	100	53.0

The above characteristics represent average values and can be obtained within three charge and discharge cycles. The batteries must be fully charged before testing. The data in this document is subject to change without notice and become contractual only after written confirmation. Please contact NPP Power for the latest available version.

NPP Power (Vietnam) Co.,Ltd

Lot A22.3, Road C4, Thanh Thanh Cong Industrial Zone,
An Hoa Village, Trang Bang District, Tay Ninh Province,
Vietnam

Guangzhou NPP Power Co, Ltd.

No.67 Lianglong Road, Huashan Town, Huadu District,
Guangzhou, China
Email: info@nppower.com.cn Tel. +86 20 37887 390