

NPD12-134Ah

Valve-regulated lead-acid battery



DEEP CYCLE SERIES

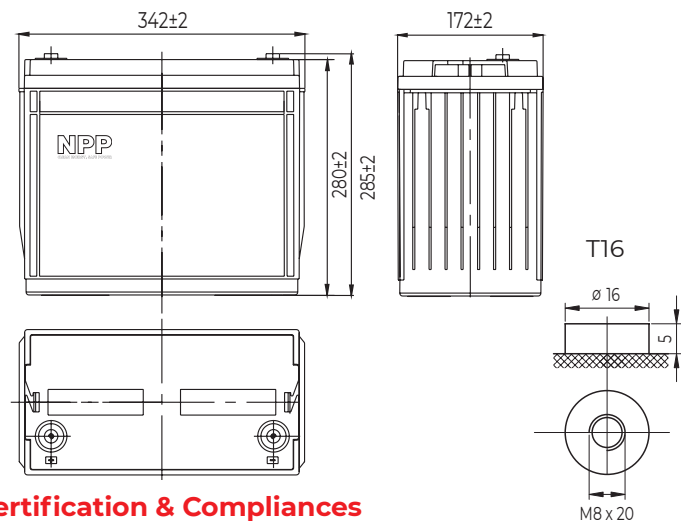
Characteristics

Nominal voltage	12V (6 cell per unit)	
Nominal capacity at 10 hours rate/10.8V (25°C)	140Ah	
Capacity (25°C)	20 Hours rate/10.8V	148.4Ah
	5 Hours rate/10.8V	119.5Ah
Terminal type	T16	
Torque	12.3±2.5N.m	
Approx. internal resistance (25°C)	3.8 mΩ	
Dimensions	Length	342±2mm (13.46inch)
	Width	172±2mm (6.77inch)
	Height	280±2mm (11.02inch)
	Total height	285±2mm (11.20inch)
Design Life (stand-by)	JIS at 25°C	10 years
	Eurobat at 20°C	10/12 years
Weight	44.00kg (97.00lbs)±3%	
Nominal operating temperature	25°C±3 (77±5°F)	
Operating temperature range	Discharge	-15°C~50°C (5°F~122°F)
	Charge	-10°C~50°C (14°F~122°F)
	Storage	-20°C~50°C (-4°F~122°F)
Float charging voltage at 25°C	13.5V~13.8V	
Cyclic charging voltage at 25°C	14.5V~15.0V	
Temperature compensation	Float charge	-18 mV/°C/Block
	Cycle charge	-30 mV/°C/Block
Max. charging current (A)	42.0A	
Max. discharge current for 5 seconds	1050A	
Self discharge rate (25°C)	≤3%/month	
Battery container ABS UL94-HB	V-0 optional	

Overview

NPP Power Deep Cycle Series are manufactured specifically to provide outstanding performance in deep cycling applications. The batteries are designed using enhanced alloy contents plates and active paste materials.

Dimensions & Terminal Type (mm)



Certification & Compliances



Compliant to: EUROBAT, RoHS, WEEE's and Reach.
Manufactured according to IEC 60896-21 / 22

Construction

Component	Positive Plate	Negative plate	Container	Separator	Electrolyte	Safety valve	Terminal
Raw material	Lead dioxide	Lead	ABS (V-0 opt.)	AGM	Sulfuric Acid	Rubber	Copper

Constant current discharge characteristics at 25°C

(Ampere/battery)

F.V/Time	10min	15min	30min	60min	2hr	3hr	4hr	5hr	8hr	10hr	20hr
9.60V	305	235	141	86.5	51.2	36.8	29.4	25.1	17.3	14.3	7.55
9.90V	296	230	138	85.2	50.9	36.6	29.2	25	17.2	14.2	7.54
10.2V	284	221	134	83.1	50.4	36.4	29	24.8	17.1	14.2	7.52
10.5V	272	214	130	80.5	49.6	36.1	28.8	24.6	16.9	14.1	7.47
10.8V	256	202	126	77.9	48.4	35	28	23.9	16.4	14	7.42

Constant power discharge characteristics at 25°C

(Watts/battery)

F.V/Time	10min	15min	30min	60min	2hr	3hr	4hr	5hr	8hr	10hr	20hr
9.60V	3296	2582	1579	986	592	433	346	297	205	170	90.6
9.90V	3197	2521	1547	972	589	431	344	295	204	170	90.5
10.2V	3065	2428	1500	947	584	428	342	293	203	169	90.2
10.5V	2934	2345	1463	917	575	425	339	291	201	168	89.7
10.8V	2769	2221	1410	888	560	412	329	283	195	167	89.0

The above characteristics represent average values and can be obtained within three charge and discharge cycles. The batteries must be fully charged before testing. The data in this document is subject to change without notice and become contractual only after written confirmation. Please contact NPP Power for the latest available version.

NPP Power (Vietnam) Co.,Ltd

Lot A22.3, Road C4, Thanh Thanh Cong Industrial Zone,
An Hoa Village, Trang Bang District, Tay Ninh Province,
Vietnam

Guangzhou NPP Power Co, Ltd.

No.67 Lianglong Road, Huashan Town, Huadu District,
Guangzhou, China
Email: info@nppower.com.cn Tel. +86 20 37887 390