



NPD12-90Ah

Valve-regulated lead-acid battery



DEEP CYCLE SERIES

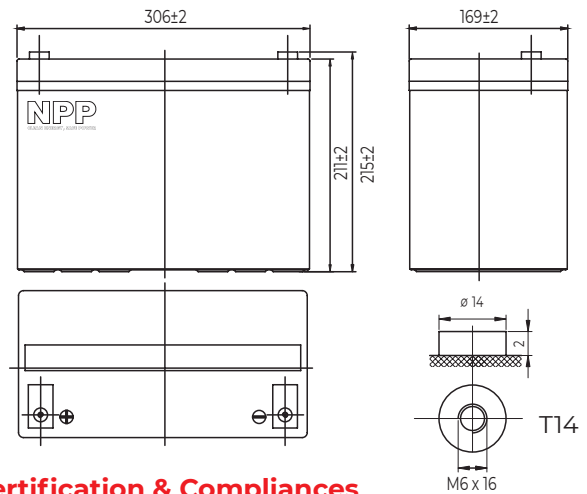
Characteristics

Nominal voltage	12V (6 cells per unit)	
Nominal capacity at 10 hours rate/10.8V (25°C)	95Ah	
Capacity (25°C)	20 Hours rate/10.8V	100.8Ah
	5 Hours rate/10.8V	81Ah
Terminal type	T14	
Torque	5.1±0.6 N.m	
Approx. internal resistance (25°C)	5 mΩ	
Dimensions	Length	306±2mm (12.05inch)
	Width	169±2mm (6.65inch)
	Height	211±2mm (8.31inch)
	Total height	215±2mm (8.46inch)
Design Life (stand-by)	JIS at 25°C	10 years
	Eurobat at 20°C	10/12 years
Weight	28.50kg (62.80lbs)±3%	
Nominal operating temperature	25°C±3 (77±5°F)	
Operating temperature range	Discharge	-15°C~50°C (5°F~122°F)
	Charge	-10°C~50°C (14°F~122°F)
	Storage	-20°C~50°C (-4°F~122°F)
Float charging voltage at 25°C	13.5V~13.8V	
Cyclic charging voltage at 25°C	14.5V~15.0V	
Temperature compensation	Float charge	-18 mV/°C/Block
	Cycle charge	-30 mV/°C/Block
Max. charging current (A)	27.0A	
Max. discharge current for 5 seconds	800A	
Self discharge rate (25°C)	≤3%/month	
Battery container ABS UL94-HB	V-0 optional	

Overview

NPP Power Deep Cycle Series are manufactured specifically to provide outstanding performance in deep cycling applications. The batteries are designed using enhanced alloy contents plates and active paste materials.

Dimensions & Terminal Type (mm)



Certification & Compliances



Compliant to: EUROBAT, RoHS, WEEE's and Reach.
Manufactured according to IEC 60896-21 / 22

Construction

Component	Positive Plate	Negative plate	Container	Separator	Electrolyte	Safety valve	Terminal
Raw material	Lead dioxide	Lead	ABS (V-0 opt.)	AGM	Sulfuric Acid	Rubber	Copper

Constant current discharge characteristics at 25°C

(Ampere/battery)

F.V/Time	10min	15min	30min	60min	2hr	3hr	4hr	5hr	8hr	10hr	20hr
9.60V	207	160	95.5	58.7	34.7	25.0	20.0	17.1	11.7	9.67	5.13
9.90V	201	156	93.6	57.8	34.5	24.9	19.8	17.0	11.7	9.65	5.12
10.2V	193	150	90.7	56.4	34.2	24.7	19.7	16.8	11.6	9.62	5.10
10.5V	184	145	88.5	54.6	33.7	24.5	19.6	16.7	11.5	9.57	5.07
10.8V	174	137	85.3	52.8	32.8	23.8	19.0	16.2	11.2	9.50	5.04

Constant power discharge characteristics at 25°C

(Watts/battery)

F.V/Time	10min	15min	30min	60min	2hr	3hr	4hr	5hr	8hr	10hr	20hr
9.60V	2237	1752	1071	669	402	294	235	202	139	115	61.5
9.90V	2170	1710	1050	659	400	292	233	200	138	115	61.4
10.2V	2080	1647	1018	643	396	290	232	199	138	115	61.2
10.5V	1991	1591	993	622	390	288	230	198	137	114	60.8
10.8V	1879	1507	957	602	380	280	223	192	132	113	60.4

The above characteristics represent average values and can be obtained within three charge and discharge cycles. The batteries must be fully charged before testing. The data in this document is subject to change without notice and become contractual only after written confirmation. Please contact NPP Power for the latest available version.

NPP Power (Vietnam) Co.,Ltd

Lot A22.3, Road C4, Thanh Thanh Cong Industrial Zone,
An Hoa Village, Trang Bang District, Tay Ninh Province,
Vietnam

Guangzhou NPP Power Co, Ltd.

No.67 Lianglong Road, Huashan Town, Huadu District,
Guangzhou, China
Email: info@nppower.com.cn Tel. +86 20 37887 390