

NPD2-2000Ah

Valve-regulated lead-acid battery



DEEP CYCLE SERIES

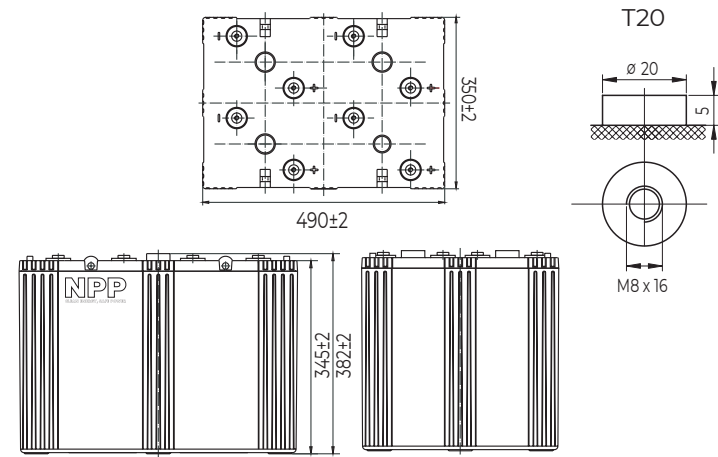
Characteristics

Nominal voltage	2V (4 cells per unit)	
Nominal capacity at 10 hours rate/1.8V (25°C)	2110Ah	
Capacity (25°C)	20 Hours rate/1.8V	2220Ah
	5 Hours rate/1.8V	1825Ah
Terminal type	T20	
Torque	12.3±2.5N.m	
Approx. internal resistance (25°C)	0.17 mΩ	
Dimensions	Length	490±2mm (19.29inch)
	Width	350±2mm (13.78inch)
	Height	345±2mm (13.58inch)
	Total height	382±2mm (15.04inch)
Design Life (stand-by)	JIS at 25°C	15 years
	Eurobat at 20°C	>12 years
Weight	131.00kg (288.80lbs)±3%	
Nominal operating temperature	25°C±3 (77±5°F)	
Operating temperature range	Discharge	-15°C~50°C (5°F~122°F)
	Charge	-10°C~50°C (14°F~122°F)
	Storage	-20°C~50°C (-4°F~122°F)
Float charging voltage at 25°C	2.25V~2.30V	
Cyclic charging voltage at 25°C	2.40V~2.50V	
Temperature compensation	Float charge	-3 mV/°C/Cell
	Cycle charge	-5 mV/°C/Cell
Max. charging current (A)	400.0A	
Max. discharge current for 5 seconds	10000A	
Self discharge rate (25°C)	≤3%/month	
Battery container ABS UL94-HB	V-0 optional	

Overview

NPP Power Deep Cycle Series are manufactured specifically to provide outstanding performance in deep cycling applications. The batteries are designed using enhanced alloy contents plates and active paste materials.

Dimensions & Terminal Type (mm)



Certification & Compliances



Compliant to: EUROBAT, RoHS, WEEE's and Reach.
Manufactured according to IEC 60896-21 / 22

Construction

Component	Positive Plate	Negative plate	Container	Separator	Electrolyte	Safety valve	Terminal
Raw material	Lead dioxide	Lead	ABS (V-0 opt.)	AGM	Sulfuric Acid	Rubber	Copper

Constant current discharge characteristics at 25°C

(Ampere/battery)

F.V/Time	30min	60min	2hr	3hr	4hr	5hr	6hr	8hr	10hr	20hr	24hr
1.60V/cell	1911	1323	774	557	446	383	330	260	215	113	97.1
1.65V/cell	1873	1283	769	554	443	381	328	259	214	113	96.9
1.70V/cell	1815	1244	762	550	440	379	326	257	214	113	96.6
1.75V/cell	1771	1204	751	546	437	376	323	255	213	112	96.0
1.80V/cell	1707	1164	732	530	424	365	314	247	211	111	95.3

Constant power discharge characteristics at 25°C

(Watts/battery)

F.V/Time	30min	60min	2hr	3hr	4hr	5hr	6hr	8hr	10hr	20hr	24hr
1.60V/cell	3574	2514	1493	1092	873	755	650	518	428	227	195
1.65V/cell	3502	2438	1484	1085	868	751	646	515	427	226	195
1.70V/cell	3395	2363	1471	1078	862	746	642	511	425	225	194
1.75V/cell	3313	2287	1449	1070	856	741	637	508	423	224	193
1.80V/cell	3191	2212	1412	1038	830	718	618	493	420	223	192

The above characteristics represent average values and can be obtained within three charge and discharge cycles. The batteries must be fully charged before testing. The data in this document is subject to change without notice and become contractual only after written confirmation. Please contact NPP Power for the latest available version.

NPP Power (Vietnam) Co., Ltd.

Lot A22.3, Road C4, Thanh Thanh Cong Industrial Zone,
An Hoa Ward, Trang Bang Town, Tay Ninh Province,
Vietnam

Guangzhou NPP Power Co., Ltd.

No.67 Lianglong Road, Huashan Town, Huadu District,
Guangzhou, China
Email: info@nppower.com.cn Tel. +86 20 37887 390