

NPD2-3000Ah

Valve-regulated lead-acid battery



DEEP CYCLE SERIES

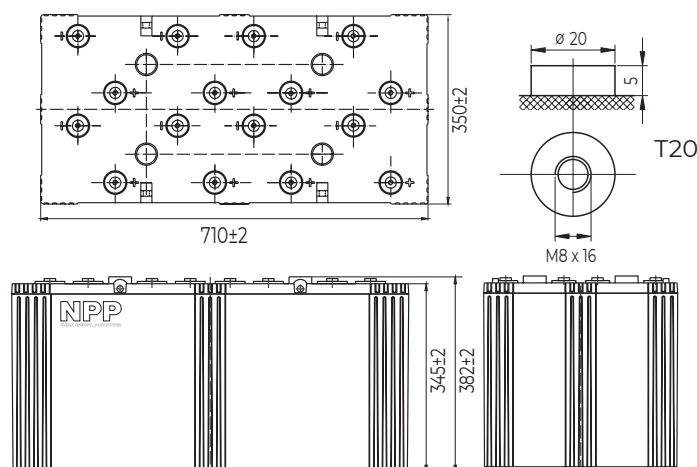
Characteristics

Nominal voltage	2V (4 cell per unit)	
Nominal capacity at 10 hours rate/1.8V (25°C)	3140Ah	
Capacity (25°C)	20 Hours rate/1.8V	3300Ah
	5 Hours rate/1.8V	2710Ah
Terminal type	T20	
Torque	12.3±2.5N.m	
Approx. internal resistance (25°C)	0.11 mΩ	
Dimensions	Length	710±2mm (27.95inch)
	Width	350±2mm (13.78inch)
	Height	345±2mm (13.58inch)
	Total height	382±2mm (15.04inch)
Design Life (stand-by)	JIS at 25°C	15 years
	Eurobat at 20°C	>12 years
Weight	191.00kg (421.08lbs)±3%	
Nominal operating temperature	25°C±3 (77±5°F)	
Operating temperature range	Discharge	-15°C~50°C (5°F~122°F)
	Charge	-10°C~50°C (14°F~122°F)
	Storage	-20°C~50°C (-4°F~122°F)
Float charging voltage at 25°C	2.25V~2.30V	
Cyclic charging voltage at 25°C	2.40V~2.50V	
Temperature compensation	Float charge	-3 mV/°C/Cell
	Cycle charge	-5 mV/°C/Cell
Max. charging current (A)	600.0A	
Max. discharge current for 5 seconds	15000A	
Self discharge rate (25°C)	≤3%/month	
Battery container ABS UL94-HB	V-0 optional	

Overview

NPP Power Deep Cycle Series are manufactured specifically to provide outstanding performance in deep cycling applications. The batteries are designed using enhanced alloy contents plates and active paste materials.

Dimensions & Terminal Type (mm)



Certification & Compliances



Compliant to: EUROBAT, RoHS, WEEE's and Reach.
Manufactured according to IEC 60896-21 / 22

Construction

Component	Positive Plate	Negative plate	Container	Separator	Electrolyte	Safety valve	Terminal
Raw material	Lead dioxide	Lead	ABS (V-0 opt.)	AGM	Sulfuric Acid	Rubber	Copper

Constant current discharge characteristics at 25°C

(Ampere/battery)

F.V/Time	30min	60min	2hr	3hr	4hr	5hr	6hr	8hr	10hr	20hr	24hr
1.60V/cell	2839	1966	1150	827	662	570	490	387	319	168	144
1.65V/cell	2782	1907	1143	823	658	566	487	384	319	168	144
1.70V/cell	2697	1848	1133	817	654	562	484	382	318	168	143
1.75V/cell	2632	1789	1116	811	649	558	480	379	316	167	143
1.80V/cell	2535	1730	1087	787	629	542	466	368	314	165	142

Constant power discharge characteristics at 25°C

(Watts/battery)

F.V/Time	30min	60min	2hr	3hr	4hr	5hr	6hr	8hr	10hr	20hr	24hr
1.60V/cell	5309	3735	2219	1622	1297	1122	965	769	635	337	290
1.65V/cell	5203	3623	2206	1612	1290	1116	960	765	634	336	289
1.70V/cell	5044	3511	2186	1601	1281	1108	953	760	632	335	288
1.75V/cell	4922	3399	2153	1590	1272	1100	947	754	628	333	287
1.80V/cell	4741	3286	2098	1542	1234	1067	918	732	624	331	285

The above characteristics represent average values and can be obtained within three charge and discharge cycles. The batteries must be fully charged before testing. The data in this document is subject to change without notice and become contractual only after written confirmation. Please contact NPP Power for the latest available version.

NPP Power (Vietnam) Co., Ltd.

Lot A22.3, Road C4, Thanh Thanh Cong Industrial Zone,
An Hoa Ward, Trang Bang Town, Tay Ninh Province,
Vietnam

Guangzhou NPP Power Co., Ltd.

No.67 Lianglong Road, Huashan Town, Huadu District,
Guangzhou, China
Email: info@nppower.com.cn Tel. +86 20 37887 390