

NPD2-400Ah

Valve-regulated lead-acid battery



DEEP CYCLE SERIES

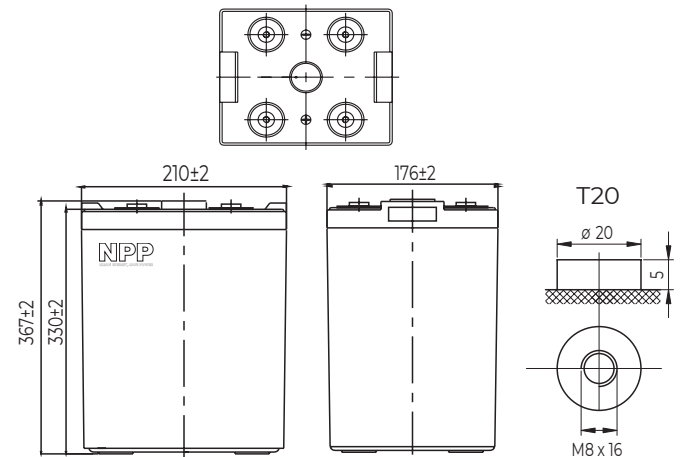
Characteristics

Nominal voltage	2V (1 cell per unit)	
Nominal capacity at 10 hours rate/1.8V (25°C)	422Ah	
Capacity (25°C)	20 Hours rate/1.8V	446Ah
	5 Hours rate/1.8V	364.5Ah
Terminal type	T20	
Torque	12.3±2.5N.m	
Approx. internal resistance (25°C)	0.60 mΩ	
Dimensions	Length	210±2mm (8.27inch)
	Width	176±2mm (6.93inch)
	Height	330±2mm (12.99inch)
	Total height	367±2mm (14.45inch)
Design Life (stand-by)	JIS at 25°C	15 years
	Eurobat at 20°C	>12 years
Weight	27.00kg (59.50lbs)±3%	
Nominal operating temperature	25±3°C (77°F±5)	
Operating temperature range	Discharge	-15°C~50°C (5°F~122°F)
	Charge	-10°C~50°C (14°F~122°F)
	Storage	-20°C~50°C (-4°F~122°F)
Float charging voltage at 25°C	2.25V~2.30V	
Cyclic charging voltage at 25°C	2.40V~2.50V	
Temperature compensation	Float charge	-3 mV/°C/Cell
	Cycle charge	-5 mV/°C/Cell
Max. charging current (A)	80.0A	
Max. discharge current for 5 seconds	2500A	
Self discharge rate (25°C)	≤3%/month	
Battery container ABS UL94-HB	V-0 optional	

Overview

NPP Power Deep Cycle Series are manufactured specifically to provide outstanding performance in deep cycling applications. The batteries are designed using enhanced alloy contents plates and active paste materials.

Dimensions & Terminal Type (mm)



Certification & Compliances



Compliant to: EUROBAT, RoHS, WEEE's and Reach.
Manufactured according to IEC 60896-21 / 22

Construction

Component	Positive Plate	Negative plate	Container	Separator	Electrolyte	Safety valve	Terminal
Raw material	Lead dioxide	Lead	ABS (V-0 opt.)	AGM	Sulfuric Acid	Rubber	Copper

Constant current discharge characteristics at 25°C

(Ampere/battery)

F.V/Time	15min	30min	60min	2hr	3hr	4hr	5hr	6hr	8hr	10hr	20hr
1.60V/cell	584	382	265	155	111	89.1	76.7	66.0	52.1	43.0	22.7
1.65V/cell	570	375	257	154	111	88.6	76.2	65.6	51.7	42.9	22.6
1.70V/cell	549	363	249	152	110	88.0	75.7	65.1	51.4	42.8	22.5
1.75V/cell	530	354	241	150	109	87.4	75.2	64.7	51.0	42.5	22.4
1.80V/cell	502	341	233	146	106	84.7	72.9	62.7	49.5	42.2	22.3

Constant power discharge characteristics at 25°C

(Watts/battery)

F.V/Time	15min	30min	60min	2hr	3hr	4hr	5hr	6hr	8hr	10hr	20hr
1.60V/cell	1068	715	503	299	218	175	151	130	104	85.5	45.3
1.65V/cell	1043	700	488	297	217	174	150	129	103	85.3	45.2
1.70V/cell	1004	679	473	294	216	172	149	128	102	85.1	45.1
1.75V/cell	970	663	457	290	214	171	148	127	102	84.6	44.8
1.80V/cell	919	638	442	282	208	166	144	124	98.5	84.0	44.5

The above characteristics represent average values and can be obtained within three charge and discharge cycles. The batteries must be fully charged before testing. The data in this document is subject to change without notice and become contractual only after written confirmation. Please contact NPP Power for the latest available version.

NPP Power (Vietnam) Co.,Ltd

Lot A22.3, Road C4, Thanh Thanh Cong Industrial Zone,
An Hoa Village, Trang Bang District, Tay Ninh Province,
Vietnam

Guangzhou NPP Power Co, Ltd.

No.67 Lianglong Road, Huashan Town, Huadu District,
Guangzhou, China
Email: info@nppower.com.cn Tel. +86 20 37887 390