

## NPD2-500Ah

Valve-regulated lead-acid battery



## DEEP CYCLE SERIES

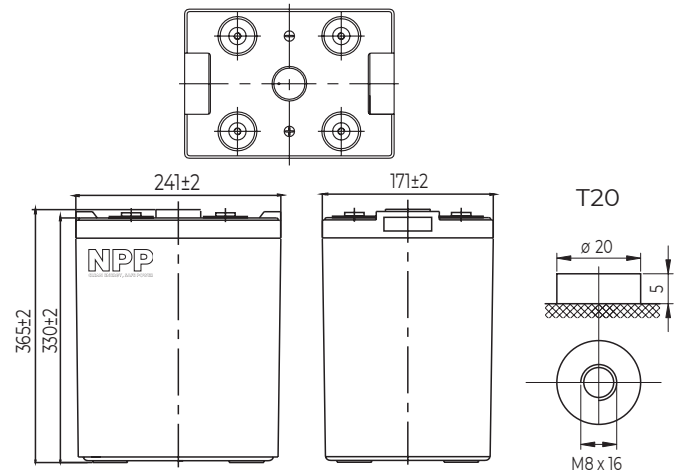
### Characteristics

Nominal voltage	2V (1 cell per unit)	
Nominal capacity at 10 hours rate/1.8V (25°C)	533Ah	
Capacity (25°C)	20 Hours rate/1.8V	562Ah
	5 Hours rate/1.8V	460Ah
Terminal type	T20	
Torque	12.3±2.5N.m	
Approx. internal resistance (25°C)	0.50 mΩ	
Dimensions	Length	241±2mm (8.27inch)
	Width	171±2mm (6.93inch)
	Height	330±2mm (12.99inch)
	Total height	365±2mm (14.45inch)
Design Life (stand-by)	JIS at 25°C	15 years
	Eurobat at 20°C	>12 years
Weight	31.50kg (69.40lbs)±3%	
Nominal operating temperature	25°C±3 (77±5°F)	
Operating temperature range	Discharge	-15°C~50°C (5°F~122°F)
	Charge	-10°C~50°C (14°F~122°F)
	Storage	-20°C~50°C (-4°F~122°F)
Float charging voltage at 25°C	2.25V~2.30V	
Cyclic charging voltage at 25°C	2.40V~2.50V	
Temperature compensation	Float charge	-3 mV/°C/Cell
	Cycle charge	-5 mV/°C/Cell
Max. charging current (A)	100.0A	
Max. discharge current for 5 seconds	3000A	
Self discharge rate (25°C)	≤3%/month	
Battery container ABS UL94-HB	V-0 optional	

### Overview

NPP Power Deep Cycle Series are manufactured specifically to provide outstanding performance in deep cycling applications. The batteries are designed using enhanced alloy contents plates and active paste materials.

### Dimensions & Terminal Type (mm)



### Certification & Compliances



Compliant to: EUROBAT, RoHS, WEEE's and Reach.  
Manufactured according to IEC 60896-21 / 22

### Construction

Component	Positive Plate	Negative plate	Container	Separator	Electrolyte	Safety valve	Terminal
Raw material	Lead dioxide	Lead	ABS (V-0 opt.)	AGM	Sulfuric Acid	Rubber	Copper

### Constant current discharge characteristics at 25°C

(Ampere/battery)

F.V/Time	15min	30min	60min	2hr	3hr	4hr	5hr	6hr	8hr	10hr	20hr
1.60V/cell	737	482	334	195	141	112	96.8	83.3	65.7	54.2	28.6
1.65V/cell	719	473	324	194	140	112	96.2	82.8	65.3	54.1	28.5
1.70V/cell	692	458	314	192	139	111	95.5	82.2	64.8	54.0	28.5
1.75V/cell	669	447	304	190	138	110	94.9	81.6	64.4	53.6	28.3
1.80V/cell	634	431	294	185	134	107	92.0	79.2	62.5	53.3	28.1

### Constant power discharge characteristics at 25°C

(Watts/battery)

F.V/Time	15min	30min	60min	2hr	3hr	4hr	5hr	6hr	8hr	10hr	20hr
1.60V/cell	1348	902	634	377	275	220	191	164	131	108	57.2
1.65V/cell	1316	884	615	375	274	219	190	163	130	108	57.1
1.70V/cell	1267	857	596	371	272	218	188	162	129	107	56.9
1.75V/cell	1224	836	577	366	270	216	187	161	128	107	56.6
1.80V/cell	1159	805	558	356	262	210	181	156	124	106	56.2

The above characteristics represent average values and can be obtained within three charge and discharge cycles. The batteries must be fully charged before testing. The data in this document is subject to change without notice and become contractual only after written confirmation. Please contact NPP Power for the latest available version.

#### NPP Power (Vietnam) Co., Ltd.

Lot A22.3, Road C4, Thanh Thanh Cong Industrial Zone,  
An Hoa Ward, Trang Bang Town, Tay Ninh Province,  
Vietnam

#### Guangzhou NPP Power Co., Ltd.

No.67 Lianglong Road, Huashan Town, Huadu District,  
Guangzhou, China  
Email: info@nppower.com.cn Tel. +86 20 37887 390