

NPD2-600Ah

Valve-regulated lead-acid battery



DEEP CYCLE SERIES

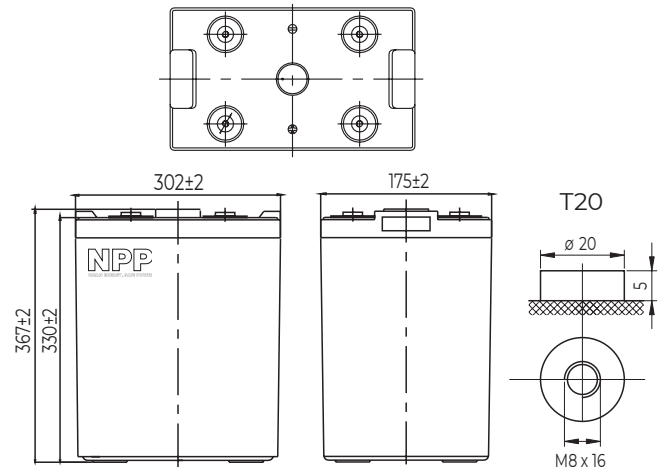
Characteristics

Nominal voltage	2V (1 cell per unit)	
Nominal capacity at 10 hours rate/1.8V (25°C)	633Ah	
Capacity (25°C)	20 Hours rate/1.8V	668Ah
	5 Hours rate/1.8V	545Ah
Terminal type	T20	
Torque	12.3±2.5N.m	
Approx. internal resistance (25°C)	0.45 mΩ	
Dimensions	Length	302±2mm (11.89inch)
	Width	175±2mm (6.89inch)
	Height	330±2mm (12.99inch)
	Total height	367±2mm (14.45inch)
Design Life (stand-by)	JIS at 25°C	15 years
	Eurobat at 20°C	>12 years
Weight	38.00kg (83.80lbs)±3%	
Nominal operating temperature	25°C±3 (77±5°F)	
Operating temperature range	Discharge	-15°C~50°C (5°F~122°F)
	Charge	-10°C~50°C (14°F~122°F)
	Storage	-20°C~50°C (-4°F~122°F)
Float charging voltage at 25°C	2.25V~2.30V	
Cyclic charging voltage at 25°C	2.40V~2.50V	
Temperature compensation	Float charge	-3 mV/°C/Cell
	Cycle charge	-5 mV/°C/Cell
Max. charging current (A)	120.0A	
Max. discharge current for 5 seconds	3600A	
Self discharge rate (25°C)	≤3%/month	
Battery container ABS UL94-HB	V-0 optional	

Overview

NPP Power Deep Cycle Series are manufactured specifically to provide outstanding performance in deep cycling applications. The batteries are designed using enhanced alloy contents plates and active paste materials.

Dimensions & Terminal Type (mm)



Certification & Compliances



Compliant to: EUROBAT, RoHS, WEEE's and Reach.
Manufactured according to IEC 60896-21 / 22

Construction

Component	Positive Plate	Negative plate	Container	Separator	Electrolyte	Safety valve	Terminal
Raw material	Lead dioxide	Lead	ABS (V-0 opt.)	AGM	Sulfuric Acid	Rubber	Copper

Constant current discharge characteristics at 25°C

(Ampere/battery)

F.V/Time	15min	30min	60min	2hr	3hr	4hr	5hr	6hr	8hr	10hr	20hr
1.60V/cell	876	573	397	232	167	134	115	99	78.1	64.5	34.0
1.65V/cell	855	562	385	231	166	133	114	98.4	77.6	64.3	33.9
1.70V/cell	823	545	373	229	165	132	114	97.7	77.1	64.1	33.8
1.75V/cell	795	531	361	225	164	131	113	97.0	76.5	63.8	33.6
1.80V/cell	753	512	349	220	159	127	109	94.1	74.2	63.3	33.4

Constant power discharge characteristics at 25°C

(Watts/battery)

F.V/Time	15min	30min	60min	2hr	3hr	4hr	5hr	6hr	8hr	10hr	20hr
1.60V/cell	1603	1072	754	448	327	262	227	195	155	128	68.0
1.65V/cell	1564	1051	731	445	326	260	225	194	154	128	67.8
1.70V/cell	1506	1018	709	441	323	259	224	192	153	128	67.6
1.75V/cell	1455	984	686	435	321	257	222	191	152	127	67.2
1.80V/cell	1378	957	664	424	311	249	215	185	148	126	66.8

The above characteristics represent average values and can be obtained within three charge and discharge cycles. The batteries must be fully charged before testing. The data in this document is subject to change without notice and become contractual only after written confirmation. Please contact NPP Power for the latest available version.

NPP Power (Vietnam) Co.,Ltd

Lot A22.3, Road C4, Thanh Thanh Cong Industrial Zone,
An Hoa Village, Trang Bang District, Tay Ninh Province,
Vietnam

Guangzhou NPP Power Co, Ltd.

No.67 Lianglong Road, Huashan Town, Huadu District,
Guangzhou, China
Email: info@nppower.com.cn Tel. +86 20 37887 390