



NPD6-150Ah

Valve-regulated lead-acid battery



DEEP CYCLE SERIES

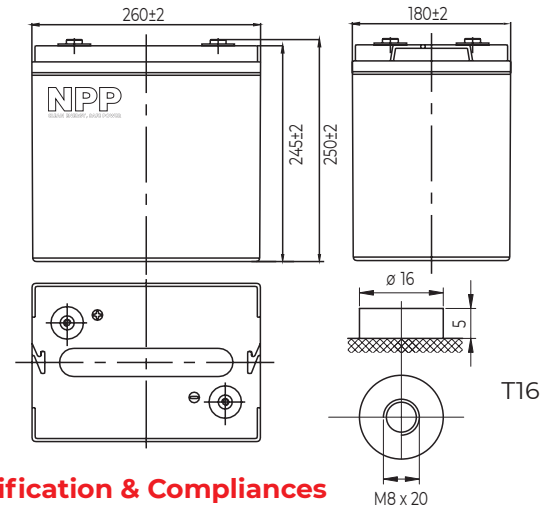
Characteristics

Nominal voltage	6V (3 cell per unit)	
Nominal capacity at 10 hours rate/5.4V (25°C)	155Ah	
Capacity (25°C)	20 Hours rate/5.4V	164.4Ah
	5 Hours rate/5.4V	132.5Ah
Terminal type	T16	
Torque	12.3±2.5N.m	
Approx. internal resistance (25°C)	2.3 mΩ	
Dimensions	Length	260±2mm (10.24inch)
	Width	180±2mm (7.09inch)
	Height	245±2mm (9.65inch)
	Total height	250±2mm (9.84inch)
Design Life (stand-by)	JIS at 25°C	10 years
	Eurobat at 20°C	10-12 years
Weight	25.50kg (56.20lbs)±3%	
Nominal operating temperature	25°C±3 (77±5°F)	
Operating temperature range	Discharge	-15°C~50°C (5°F~122°F)
	Charge	-10°C~50°C (14°F~122°F)
	Storage	-20°C~50°C (-4°F~122°F)
Float charging voltage at 25°C	6.75V~6.90V	
Cyclic charging voltage at 25°C	7.25V~7.50V	
Temperature compensation	Float charge	-9 mV/°C/Block
	Cycle charge	-15 mV/°C/Block
Max. charging current (A)	45.0A	
Max. discharge current for 5 seconds	1200A	
Self discharge rate (25°C)	≤3%/month	
Battery container ABS UL94-HB	V-0 optional	

Overview

NPP Power Deep Cycle Series are manufactured specifically to provide outstanding performance in deep cycling applications. The batteries are designed using enhanced alloy contents plates and active paste materials.

Dimensions & Terminal Type (mm)



Certification & Compliances



Compliant to: EUROBAT, RoHS, WEEE's and Reach.
Manufactured according to IEC 60896-21 / 22

Construction

Component	Positive Plate	Negative plate	Container	Separator	Electrolyte	Safety valve	Terminal
Raw material	Lead dioxide	Lead	ABS (V-0 opt.)	AGM	Sulfuric Acid	Rubber	Copper

Constant current discharge characteristics at 25°C

(Ampere/battery)

F.V/Time	10min	15min	30min	60min	2hr	3hr	4hr	5hr	8hr	10hr	20hr
4.80V	338	260	156	95.8	56.6	40.8	32.6	27.8	19.1	15.8	8.36
4.95V	328	254	153	94.4	56.3	40.5	32.4	27.7	19.0	15.7	8.35
5.10V	314	245	148	92.0	55.8	40.3	32.2	27.5	18.9	15.7	8.32
5.25V	301	236	144	89.1	55.0	40.0	31.9	27.3	18.8	15.6	8.27
5.40V	285	224	139	86.2	53.6	38.8	31.0	26.5	18.2	15.5	8.22

Constant power discharge characteristics at 25°C

(Watts/battery)

F.V/Time	10min	15min	30min	60min	2hr	3hr	4hr	5hr	8hr	10hr	20hr
4.80V	1825	1430	874	546	328	240	192	164	114	94.2	50.2
4.95V	1770	1395	856	538	326	238	190	163	113	94.0	50.1
5.10V	1697	1344	830	524	323	237	189	162	112	93.7	49.9
5.25V	1624	1298	810	508	318	235	188	161	111	93.2	49.6
5.40V	1533	1229	780	491	310	228	182	156	108	92.5	49.3

The above characteristics represent average values and can be obtained within three charge and discharge cycles. The batteries must be fully charged before testing. The data in this document is subject to change without notice and become contractual only after written confirmation. Please contact NPP Power for the latest available version.

NPP Power (Vietnam) Co.,Ltd

Lot A22.3, Road C4, Thanh Thanh Cong Industrial Zone,
An Hoa Village, Trang Bang District, Tay Ninh Province,
Vietnam

Guangzhou NPP Power Co, Ltd.

No.67 Lianglong Road, Huashan Town, Huadu District,
Guangzhou, China
Email: info@nppower.com.cn Tel. +86 20 37887 390