



NPG2-200Ah

Valve-regulated lead-acid battery



DEEP CYCLE GEL SERIES

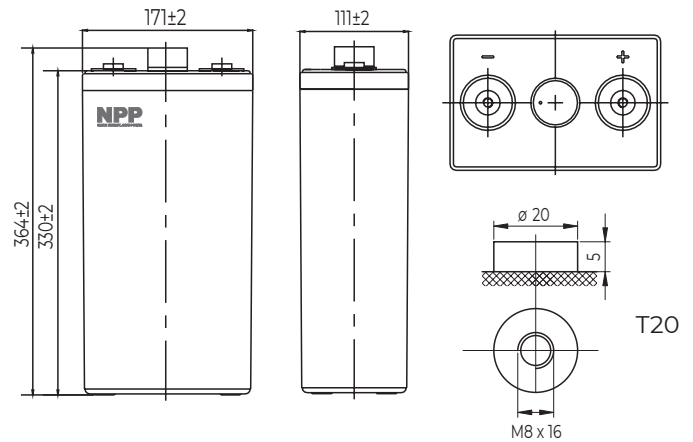
Characteristics

Nominal voltage	2V (1 cell per unit)	
Nominal capacity at 10 hours rate/1.8V (25°C)	200Ah	
Capacity (25°C)	20 Hours rate/1.8V	210Ah
	5 Hours rate/1.8V	163Ah
Terminal type	T20	
Torque	12.3±2.5N.m	
Approx. internal resistance (25°C)	0.95 mΩ	
Dimensions	Length	171±2mm (6.73inch)
	Width	111±2mm (4.37inch)
	Height	330±2mm (12.99inch)
	Total height	364±2mm (14.33inch)
Design Life (stand-by)	JIS at 25°C	18 years
	Eurobat at 20°C	>12 years
Weight	14.00kg (30.90 lbs)±3%	
Nominal operating temperature	25°C±3 (77±5°F)	
Operating temperature range	Discharge	-15°C~50°C (5°F~122°F)
	Charge	-10°C~50°C (14°F~122°F)
	Storage	-20°C~50°C (-4°F~122°F)
Float charging voltage at 25°C	2.25V~2.30V	
Cyclic charging voltage at 25°C	2.40V~2.45V	
Temperature compensation	Float charge	-3 mV/°C/cell
	Cycle charge	-5 mV/°C/cell
Max. charging current (A)	40A	
Max. discharge current for 5 seconds	1500A	
Self discharge rate (25°C)	≤3%/month	
Battery container ABS UL94-HB	V-0 optional	

Overview

NPP Power AGM GEL Series are manufactured following the highest demands in the deep cycle and renewable energy applications. The batteries use colloidal or foamed silica gel to immobilize the electrolyte, which further enhances the cycling stability. Available in top and front terminal types.

Dimensions & Terminal Type (mm)



Certification & Compliances



Compliant to: EUROBAT, RoHS, WEEE's and Reach.
Manufactured according to IEC 60896-21 / 22

Construction

Component	Positive Plate	Negative plate	Container	Separator	Electrolyte	Safety valve	Terminal
Raw material	Lead dioxide	Lead	ABS (V-0 opt.)	AGM	Sulfuric Acid Gel	Rubber	Copper

Constant current discharge characteristics at 25°C

(Ampere/battery)

F.V/Time	15min	30min	60min	2h	3h	4h	5h	6h	8h	10h	20h
1.60V/cell	250	174	120	72.1	52.2	41.2	34.3	30.2	24.1	20.4	10.7
1.65V/cell	244	171	118	71.6	51.9	41.0	34.1	30.0	23.9	20.3	10.7
1.70V/cell	235	165	114	71.0	51.6	40.7	33.8	29.8	23.8	20.3	10.6
1.75V/cell	227	161	112	69.9	51.2	40.4	33.6	29.6	23.6	20.1	10.6
1.80V/cell	215	155	108	68.2	50.2	39.2	32.6	28.7	22.9	20.0	10.5

Constant power discharge characteristics at 25°C

(Watts/battery)

F.V/Time	15min	30min	60min	2h	3h	4h	5h	6h	8h	10h	20h
1.60V/cell	458	325	228	139	102	80.8	67.5	59.5	47.9	40.5	21.4
1.65V/cell	447	319	223	138	102	80.3	67.1	59.1	47.6	40.4	21.3
1.70V/cell	430	309	217	137	101	79.7	66.7	58.7	47.3	40.3	21.3
1.75V/cell	415	302	212	135	100	79.2	66.2	58.3	47.0	40.1	21.1
1.80V/cell	393	291	205	132	98.3	76.8	64.2	56.6	45.6	39.8	21.0

The above characteristics represent average values and can be obtained within three charge and discharge cycles. The batteries must be fully charged before testing. The data in this document is subject to change without notice and become contractual only after written confirmation. Please contact NPP Power for the latest available version.

NPP Power (Vietnam) Co.,Ltd

Lot A22.3, Road C4, Thanh Thanh Cong Industrial Zone,
An Hoa Village, Trang Bang District, Tay Ninh Province,
Vietnam

Guangzhou NPP Power Co, Ltd.

No.67 Lianglong Road, Huashan Town, Huadu District,
Guangzhou, China
Email: info@nppower.com.cn Tel. +86 20 37887 390