



## NPG2-300Ah

Valve-regulated lead-acid battery



## DEEP CYCLE GEL SERIES

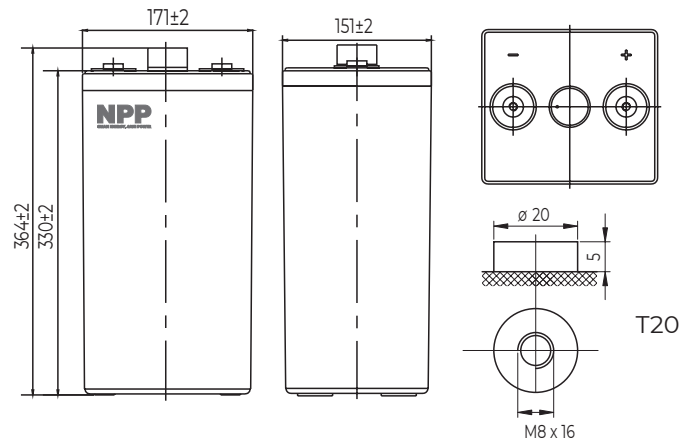
### Characteristics

Nominal voltage	2V (1 cell per unit)	
Nominal capacity at 10 hours rate/1.8V (25°C)	300Ah	
Capacity (25°C)	20 Hours rate/1.8V	316Ah
	5 Hours rate/1.8V	244.5Ah
Terminal type	T20	
Torque	12.3±2.5N.m	
Approx. internal resistance (25°C)	0.8 mΩ	
Dimensions	Length	171±2mm (6.73inch)
	Width	151±2mm (5.94inch)
	Height	330±2mm (12.99inch)
	Total height	364±2mm (14.33inch)
Design Life (stand-by)	JIS at 25°C	18 years
	Eurobat at 20°C	>12 years
Weight	19.50kg (43.00 lbs)±3%	
Nominal operating temperature	25°C±3 (77±5°F)	
Operating temperature range	Discharge	-15°C~50°C (5°F~122°F)
	Charge	-10°C~50°C (14°F~122°F)
	Storage	-20°C~50°C (-4°F~122°F)
Float charging voltage at 25°C	2.25V~2.30V	
Cyclic charging voltage at 25°C	2.40V~2.45V	
Temperature compensation	Float charge	-3 mV/°C/cell
	Cycle charge	-5 mV/°C/cell
Max. charging current (A)	60A	
Max. discharge current for 5 seconds	2100A	
Self discharge rate (25°C)	≤3%/month	
Battery container ABS UL94-HB	V-0 optional	

### Overview

NPP Power AGM GEL Series are manufactured following the highest demands in the deep cycle and renewable energy applications. The batteries use colloidal or foamed silica gel to immobilize the electrolyte, which further enhances the cycling stability. Available in top and front terminal types.

### Dimensions & Terminal Type (mm)



### Certification & Compliances



Compliant to: EUROBAT, RoHS, WEEE's and Reach.  
Manufactured according to IEC 60896-21 / 22

### Construction

Component	Positive Plate	Negative plate	Container	Separator	Electrolyte	Safety valve	Terminal
Raw material	Lead dioxide	Lead	ABS (V-0 opt.)	AGM	Sulfuric Acid Gel	Rubber	Copper

### Constant current discharge characteristics at 25°C

(Ampere/battery)

F.V/Time	15min	30min	60min	2h	3h	4h	5h	6h	8h	10h	20h
1.60V/cell	375	261	180	108	78.3	61.8	51.4	45.3	36.1	30.5	16.0
1.65V/cell	366	256	176	107	77.9	61.4	51.1	45.0	35.9	30.5	16.0
1.70V/cell	353	248	171	107	77.3	61.0	50.8	44.7	35.6	30.4	16.0
1.75V/cell	341	242	167	105	76.8	60.6	50.4	44.4	35.4	30.2	15.9
1.80V/cell	323	233	162	102	75.3	58.8	48.9	43.1	34.3	30.0	15.8

### Constant power discharge characteristics at 25°C

(Watts/battery)

F.V/Time	15min	30min	60min	2h	3h	4h	5h	6h	8h	10h	20h
1.60V/cell	686	488	342	209	154	121	101	89.2	71.9	60.8	32.1
1.65V/cell	670	478	335	207	153	120	101	88.7	71.4	60.7	32.0
1.70V/cell	645	464	325	206	152	120	100	88.1	70.9	60.5	31.9
1.75V/cell	623	452	318	202	151	119	99.3	87.5	70.4	60.1	31.7
1.80V/cell	590	436	308	197	148	115	96.3	84.8	68.3	59.7	31.5

The above characteristics represent average values and can be obtained within three charge and discharge cycles. The batteries must be fully charged before testing. The data in this document is subject to change without notice and become contractual only after written confirmation. Please contact NPP Power for the latest available version.

#### NPP Power (Vietnam) Co.,Ltd

Lot A22.3, Road C4, Thanh Thanh Cong Industrial Zone,  
An Hoa Village, Trang Bang District, Tay Ninh Province,  
Vietnam

#### Guangzhou NPP Power Co, Ltd.

No.67 Lianglong Road, Huashan Town, Huadu District,  
Guangzhou, China  
Email: info@nppower.com.cn Tel. +86 20 37887 390