



NPG2-400Ah

Valve-regulated lead-acid battery



DEEP CYCLE GEL SERIES

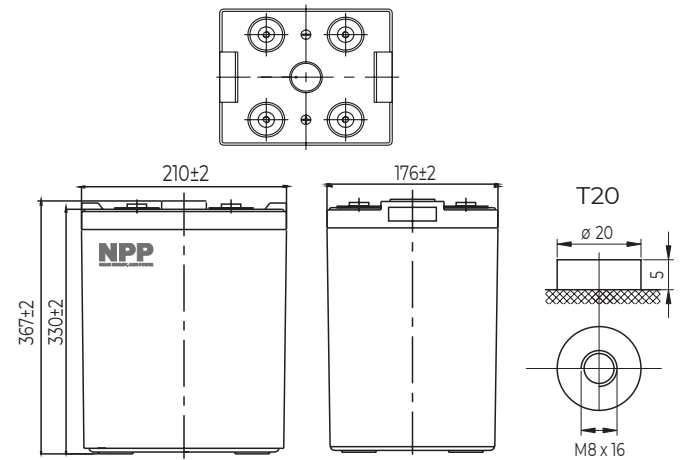
Characteristics

Nominal voltage	2V (1 cell per unit)	
Nominal capacity at 10 hours rate/1.8V (25°C)	400Ah	
Capacity (25°C)	20 Hours rate/1.8V	420Ah
	5 Hours rate/1.8V	326Ah
Terminal type	T20	
Torque	12.3±2.5N.m	
Approx. internal resistance (25°C)	0.65 mΩ	
Dimensions	Length	210±2mm (8.27inch)
	Width	176±2mm (6.93inch)
	Height	330±2mm (12.99inch)
	Total height	367±2mm (14.45inch)
Design Life (stand-by)	JIS at 25°C	18 years
	Eurobat at 20°C	>12 years
Weight	27.00kg (59.50 lbs)±3%	
Nominal operating temperature	25°C±3 (77±5°F)	
Operating temperature range	Discharge	-15°C~50°C (5°F~122°F)
	Charge	-10°C~50°C (14°F~122°F)
	Storage	-20°C~50°C (-4°F~122°F)
Float charging voltage at 25°C	2.25V~2.30V	
Cyclic charging voltage at 25°C	2.40V~2.45V	
Temperature compensation	Float charge	-3 mV/°C/cell
	Cycle charge	-5 mV/°C/cell
Max. charging current (A)	80A	
Max. discharge current for 5 seconds	2500A	
Self discharge rate (25°C)	≤3%/month	
Battery container ABS UL94-HB	V-0 optional	

Overview

NPP Power AGM GEL Series are manufactured following the highest demands in the deep cycle and renewable energy applications. The batteries use colloidal or foamed silica gel to immobilize the electrolyte, which further enhances the cycling stability. Available in top and front terminal types.

Dimensions & Terminal Type (mm)



Certification & Compliances



Compliant to: EUROBAT, RoHS, WEEE's and Reach.
Manufactured according to IEC 60896-21 / 22

Construction

Component	Positive Plate	Negative plate	Container	Separator	Electrolyte	Safety valve	Terminal
Raw material	Lead dioxide	Lead	ABS (V-0 opt.)	AGM	Sulfuric Acid Gel	Rubber	Copper

Constant current discharge characteristics at 25°C

(Ampere/battery)

F.V/Time	15min	30min	60min	2h	3h	4h	5h	6h	8h	10h	20h
1.60V/cell	500	348	240	144	104	82.4	68.5	60.4	48.1	40.7	21.4
1.65V/cell	488	341	235	143	104	81.9	68.1	60.0	47.9	40.6	21.3
1.70V/cell	470	331	228	142	103	81.4	67.7	59.6	47.5	40.5	21.3
1.75V/cell	454	323	223	140	102	80.8	67.2	59.2	47.2	40.3	21.1
1.80V/cell	430	311	216	136	100	78.4	65.2	57.4	45.8	40.0	21.0

Constant power discharge characteristics at 25°C

(Watts/battery)

F.V/Time	15min	30min	60min	2h	3h	4h	5h	6h	8h	10h	20h
1.60V/cell	915	651	456	278	205	162	135	119	95.8	81.0	42.8
1.65V/cell	893	638	447	277	204	161	134	118	95.2	80.9	42.7
1.70V/cell	860	618	433	274	202	159	133	117	94.6	80.6	42.5
1.75V/cell	831	603	424	270	201	158	132	117	93.9	80.2	42.3
1.80V/cell	787	581	410	263	197	154	128	113	91.1	79.6	42.0

The above characteristics represent average values and can be obtained within three charge and discharge cycles. The batteries must be fully charged before testing. The data in this document is subject to change without notice and become contractual only after written confirmation. Please contact NPP Power for the latest available version.

NPP Power (Vietnam) Co.,Ltd

Lot A22.3, Road C4, Thanh Thanh Cong Industrial Zone,
An Hoa Village, Trang Bang District, Tay Ninh Province,
Vietnam

Guangzhou NPP Power Co, Ltd.

No.67 Lianglong Road, Huashan Town, Huadu District,
Guangzhou, China
Email: info@nppower.com.cn Tel. +86 20 37887 390