



NPG6-100Ah

Valve-regulated lead-acid battery



DEEP CYCLE GEL SERIES

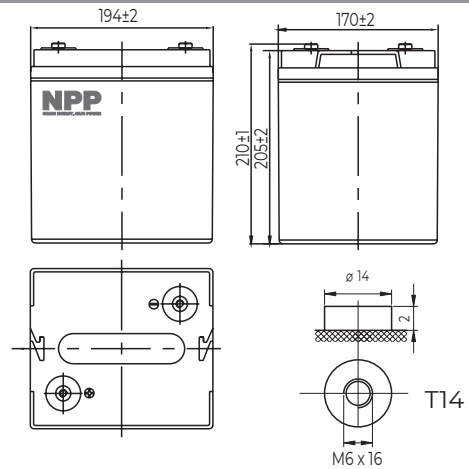
Characteristics

Nominal voltage	6V (3 cells per unit)	
Nominal capacity at 10 hours rate/5.4V (25°C)	106Ah	
Capacity (25°C)	20 Hours rate/5.4V	106Ah
	5 Hours rate/5.4V	82.5Ah
Terminal type	T14	
Torque	5.1+/-0.6N.m	
Approx. internal resistance (25°C)	3.0 mΩ	
Dimensions	Length	194±2mm (7.64inch)
	Width	170±2mm (6.69inch)
	Height	205±2mm (8.07inch)
	Total height	210±2mm (8.27inch)
Design Life (stand-by)	JIS at 25°C	12 years
	Eurobat at 20°C	10/12 years
Weight	16.00kg (35.5lbs)±3%	
Nominal operating temperature	25°C±3 (77±5°F)	
Operating temperature range	Discharge	-15°C~50°C (5°F~122°F)
	Charge	-10°C~50°C (14°F~122°F)
	Storage	-20°C~50°C (-4°F~122°F)
Float charging voltage at 25°C	6.75V~6.90V	
Cyclic charging voltage at 25°C	7.20V~7.35V	
Temperature compensation	Float charge	-9 mV/°C/Block
	Cycle charge	-15 mV/°C/Block
Max. charging current (A)	20A	
Max. discharge current for 5 seconds	800A	
Self discharge rate (25°C)	≤3%/month	
Battery container ABS UL94-HB	V-0 optional	

Overview

NPP Power AGM GEL Series are manufactured following the highest demands in the deep cycle and renewable energy applications. The batteries use colloidal or foamed silica gel to immobilize the electrolyte, which further enhances the cycling stability. Available in top and front terminal types.

Dimensions & Terminal Type (mm)



Certification & Compliances



Compliant to: EUROBAT, RoHS, WEEE's and Reach.
Manufactured according to IEC 60896-21 / 22

Construction

Component	Positive Plate	Negative plate	Container	Separator	Electrolyte	Safety valve	Terminal
Raw material	Lead dioxide	Lead	ABS (V-0 opt.)	AGM	Sulfuric Acid Gel	Rubber	Copper

Constant current discharge characteristics at 25°C

(Ampere/battery)

F.V/Time	10min	15min	30min	60min	2h	3h	4h	5h	8h	10h	20h
4.80V	195	160	97.0	60.0	36.5	26.0	20.4	17.3	12.2	10.2	5.40
4.95V	189	156	95.1	59.1	36.3	25.9	20.3	17.2	12.2	10.2	5.38
5.10V	181	150	92.2	57.6	36.0	25.7	20.1	17.1	12.1	10.1	5.37
5.25V	174	145	89.9	55.8	35.5	25.5	20.0	17.0	12.0	10.1	5.34
5.40V	164	138	86.6	54.0	34.6	25.0	19.4	16.5	11.6	10.0	5.30

Constant power discharge characteristics at 25°C

(Watts/battery)

F.V/Time	10min	15min	30min	60min	2h	3h	4h	5h	8h	10h	20h
4.80V	1053	878	544	342	212	153	120	102	72.7	60.8	32.4
4.95V	1021	857	533	337	210	152	119	102	72.3	60.7	32.3
5.10V	979	826	517	328	208	151	118	101	71.8	60.5	32.2
5.25V	937	798	504	318	205	150	118	100	71.3	60.1	32.0
5.40V	885	755	486	308	200	147	114	97.5	69.1	59.7	31.8

The above characteristics represent average values and can be obtained within three charge and discharge cycles. The batteries must be fully charged before testing. The data in this document is subject to change without notice and become contractual only after written confirmation. Please contact NPP Power for the latest available version.

NPP Power (Vietnam) Co., Ltd.

Lot A22.3, Road C4, Thanh Thanh Cong Industrial Zone,
An Hoa Ward, Trang Bang Town, Tay Ninh Province,
Vietnam

Guangzhou NPP Power Co., Ltd.

No.67 Lianglong Road, Huashan Town, Huadu District,
Guangzhou, China
Email: info@nppower.com.cn Tel. +86 20 37887 390