



NPG6-180Ah

Valve-regulated lead-acid battery



DEEP CYCLE GEL SERIES

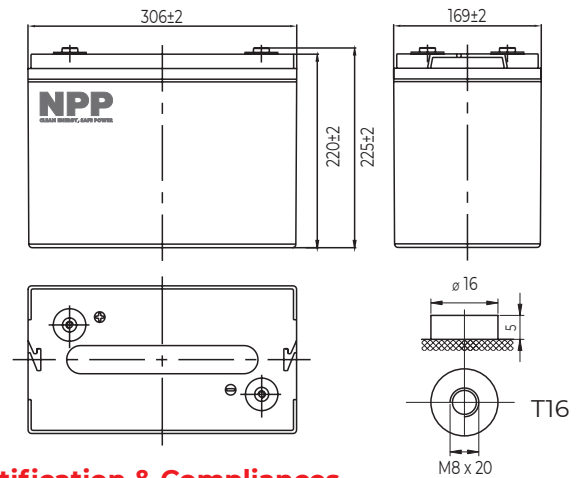
Characteristics

Nominal voltage	6V (3 cells per unit)	
Nominal capacity at 10 hours rate/5.4V (25°C)	180Ah	
Capacity (25°C)	20 Hours rate/5.4V	190.8Ah
	5 Hours rate/5.4V	148.5Ah
Terminal type	T16	
Torque	12.3±2.5N.m	
Approx. internal resistance (25°C)	2.2 mΩ	
Dimensions	Length	306±2mm (12.05inch)
	Width	169±2mm (6.65inch)
	Height	220±2mm (8.66inch)
	Total height	225±2mm (8.86inch)
Design Life (stand-by)	JIS at 25°C	12 years
	Eurobat at 20°C	10/12 years
Weight	29.50kg (65.00lbs)±3%	
Nominal operating temperature	25±3°C (77°F±5)	
Operating temperature range	Discharge	-15°C~50°C (5°F~122°F)
	Charge	-10°C~50°C (14°F~122°F)
	Storage	-20°C~50°C (-4°F~122°F)
Float charging voltage at 25°C	6.75V~6.90V	
Cyclic charging voltage at 25°C	7.20V~7.35V	
Temperature compensation	Float charge	-18 mV/°C/Block
	Cycle charge	-30 mV/°C/Block
Max. charging current (A)	36A	
Max. discharge current for 5 seconds	1250A	
Self discharge rate (25°C)	≤3%/month	
Battery container ABS UL94-HB	V-0 optional	

Overview

NPP Power AGM GEL Series are manufactured following the highest demands in the deep cycle and renewable energy applications. The batteries use colloidal or foamed silica gel to immobilize the electrolyte, which further enhances the cycling stability. Available in top and front terminal types.

Dimensions & Terminal Type (mm)



Certification & Compliances



Compliant to: EUROBAT, RoHS, WEEE's and Reach.
Manufactured according to IEC 60896-21 / 22

Construction

Component	Positive Plate	Negative plate	Container	Separator	Electrolyte	Safety valve	Terminal
Raw material	Lead dioxide	Lead	ABS (V-0 opt.)	AGM	Sulfuric Acid Gel	Rubber	Copper

Constant current discharge characteristics at 25°C

(Ampere/battery)

F.V/Time	10min	15min	30min	60min	2h	3h	4h	5h	8h	10h	20h
4.80V	351	288	175	108	65.8	46.8	36.7	31.2	22.0	18.3	9.71
4.95V	340	281	171	106	65.4	46.5	36.5	31.0	21.9	18.3	9.69
5.10V	326	271	166	104	64.8	46.2	36.3	30.8	21.8	18.2	9.66
5.25V	312	262	162	100	63.8	45.9	36.0	30.6	21.6	18.1	9.61
5.40V	295	248	156	97.2	62.2	45.0	34.9	29.7	21.0	18.0	9.54

Constant power discharge characteristics at 25°C

(Watts/battery)

F.V/Time	10min	15min	30min	60min	2h	3h	4h	5h	8h	10h	20h
4.80V	1895	1581	980	616	381	275	216	184	131	109	58.3
4.95V	1839	1543	960	606	379	274	215	183	130	109	58.2
5.10V	1763	1486	931	591	375	272	213	182	129	109	58.0
5.25V	1687	1436	908	573	370	270	212	181	128	108	57.6
5.40V	1592	1360	875	554	360	264	205	175	124	107	57.2

The above characteristics represent average values and can be obtained within three charge and discharge cycles. The batteries must be fully charged before testing. The data in this document is subject to change without notice and become contractual only after written confirmation. Please contact NPP Power for the latest available version.

NPP Power (Vietnam) Co., Ltd.

Lot A22.3, Road C4, Thanh Thanh Cong Industrial Zone,
An Hoa Ward, Trang Bang Town, Tay Ninh Province,
Vietnam

Guangzhou NPP Power Co., Ltd.

No.67 Lianglong Road, Huashan Town, Huadu District,
Guangzhou, China
Email: info@nppower.com.cn Tel. +86 20 37887 390